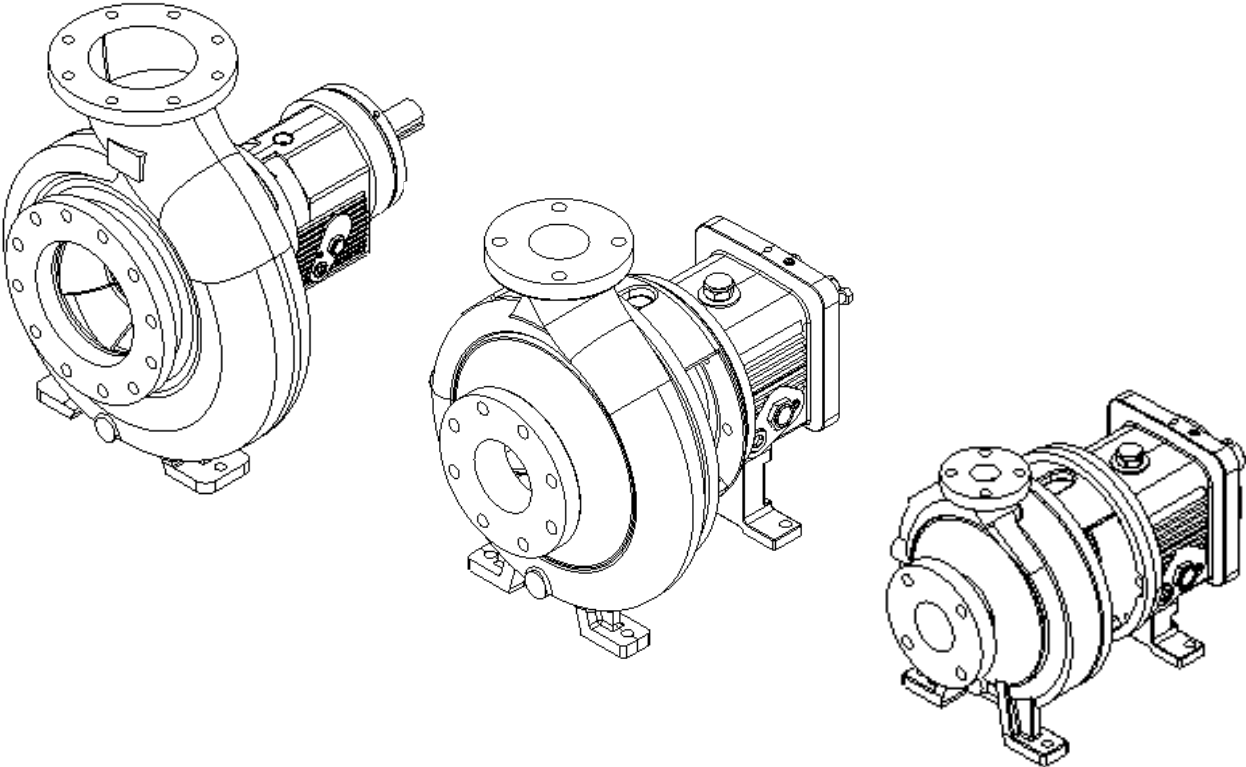
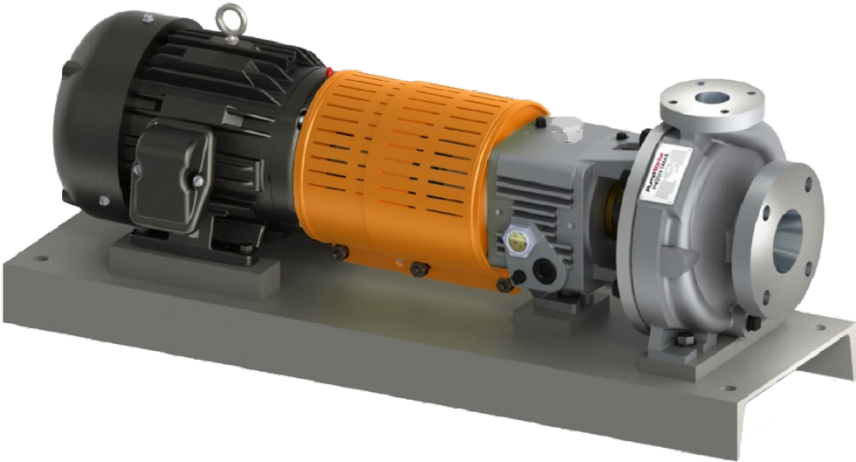


# Installation, Operation, and Maintenance Manual

Model: **DWA**



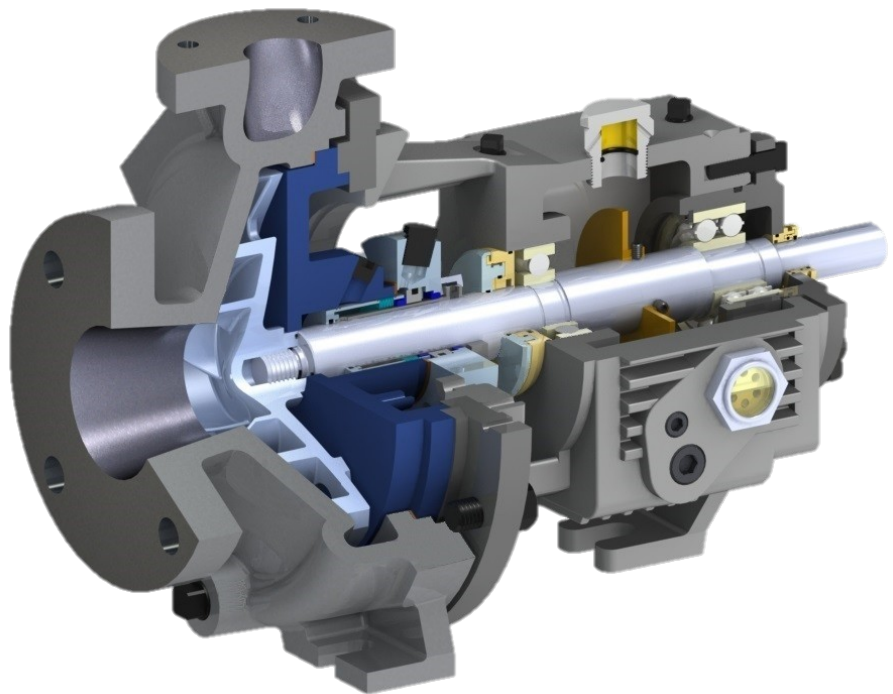
**Visit our website for more information.**

[www.bestpumpworksindustrial.com](http://www.bestpumpworksindustrial.com)

**See our other products at:**

[www.bestpumporks.com](http://www.bestpumporks.com)

[www.pumpworks610.com](http://www.pumpworks610.com)



65 Southbelt Industrial Drive  
Houston, TX 77047  
U.S.A.

Ph: (713) 892-5875

Fx: (713) 343-0765

# TABLE OF CONTENTS

## Introduction

Introduction	INTRO-2
Safety	INTRO-3
Warranty	INTRO-4

## Product Description

General Description	DESIGN-2
Part Description	DESIGN-2,3
Nameplates	DESIGN-4,5,6

### Figures

Figure 1: PWA Pump	DESIGN-2
Figure 2: PWA Power End Cross Sectional	DESIGN-3
Figure 3: Pump Casing Nameplate - English	DESIGN-4
Figure 4: Pump Casing ID Tag	DESIGN-4
Figure 5: Pump Casing Nameplate - Metric	DESIGN-5
Figure 6: Bearing Frame Nameplate	DESIGN-6

### Tables

Table 1: Hydraulic Sizes by Group	DESIGN-2
Table 2: Pump Casing Parts	DESIGN-2
Table 3: Power End Main Parts	DESIGN-3
Table 4: Nameplate Description	DESIGN-4
Table 5: Casing Nameplate Definitions - English	DESIGN-4
Table 6: Casing Nameplate Definitions - Metric	DESIGN-5
Table 7: Power End Nameplate Definitions	DESIGN-6

## Handling

Delivery Inspection	HANDLE-1
Transportation	HANDLE-2
Pump Handling	HANDLE-2
Lifting Methods	HANDLE-3,4,5
Storage	HANDLE-5
Pump Storage Requirements	HANDLE-5
Frost Proofing	HANDLE-6

### Figures

Figure 1: Bare Pump Lifting	HANDLE-3
Figure 2: Base Mounted Pump Lifting	HANDLE-3
Figure 3: Base Mounted Pump with Motor	HANDLE-4
Figure 4: Fab Base Mounted Pump with Motor	HANDLE-4
Figure 5: Bare Pump with Adapter Lifting	HANDLE-5

### Tables

Table 1: Lifting Methods	HANDLE-2
Table 2: Storage Requirements	HANDLE-5
Table 3: Frostproofing	HANDLE-6

## Installation

Pre-installation	INSTALL-2
Pump Location Guidelines	INSTALL-2
Foundation Requirements	INSTALL-3
Baseplate Mounting Procedures	INSTALL-3
Install the Baseplate	INSTALL-3,4,5,6
Grout the baseplate	INSTALL-6,7
Install the pump, driver, and coupling	INSTALL-8
Pump-to-driver alignment	INSTALL-8
Alignment checks	INSTALL-8
Permitted indicator values for alignment checks	INSTALL-9

Alignment measurement guidelines	INSTALL-9
Attach the dial indicators for alignment	INSTALL-10
Pump-to-driver alignment instructions	INSTALL-10,11,12,13
Piping checklists	INSTALL-13
General piping checklist	INSTALL-14
Suction-piping checklist	INSTALL-15,16,17
Discharge piping checklist	INSTALL-18,19

### Figures

Figure 1: Sleeve Type Bolts	INSTALL-2
Figure 2: J Type Bolts	INSTALL-3
Figure 3: Baseplate Top View	INSTALL-3
Figure 4: Baseplate Side View	INSTALL-4
Figure 5: Jackscrew Bolts	INSTALL-5
Figure 6: Leveling Baseplate - Motor Pads	INSTALL-5
Figure 7: Leveling Baseplate - Pump Pads	INSTALL-6
Figure 8: Initial Grout	INSTALL-6
Figure 9: Final Grout	INSTALL-7
Figure 10: Dial Indicator Alignment	INSTALL-9
Figure 11: Incorrect Vertical Alignment	INSTALL-10
Figure 12: Incorrect Horizontal Alignment	INSTALL-11
Figure 13: Correct Vertical Alignment	INSTALL-12
Figure 14: Correct Horizontal Alignment	INSTALL-12

### Tables

Table 1: Guidelines for Locations	INSTALL-2
Table 2: Alignment Checks	INSTALL-8
Table 3: Cold Alignment	INSTALL-8
Table 4: Hot Alignment	INSTALL-8
Table 5: Alignment Measurement Guidelines	INSTALL-9
Table 6: Angular Alignment for Vertical Corr.	INSTALL-10
Table 7: Angular Alignment for Horizontal Corr.	INSTALL-11
Table 8: Parallel Alignment for Vertical Corr.	INSTALL-11
Table 9: Parallel Alignment for Horizontal Corr.	INSTALL-12
Table 10: Piping Guidelines	INSTALL-14
Table 11: Suction Piping Guidelines	INSTALL-15,16
Table 12: Suction Piping Guidelines - Liq. Below	INSTALL-16
Table 13: Suction Piping Guidelines - Liq. Above	INSTALL-16
Table 14: Discharge Piping Guidelines	INSTALL-18

## Commissioning, Startup, Operation and Shutdown

Preparation for Startup	STARTUP-2
Coupling Guard	STARTUP-2,3,4
Pump Rotation	STARTUP-4
Setting Impeller Clearance	STARTUP-5
PWA Standard Impeller Clearances	STARTUP-6
Dial Indicator Method	STARTUP-6
Feeler Gauge Method	STARTUP-7
Install Coupling	STARTUP-7
Install Coupling Guard	STARTUP-7-11
Bearing Lubrication	STARTUP-11
Pump Priming	STARTUP-12,13,14
Start Up Precautions	STARTUP-15,16

# TABLE OF CONTENTS

Shut Down STARTUP-16

## Figures

Figure 1: Guard Removal, Slide Driver Half	STARTUP-2
Figure 2: Guard Removal, Driver Side End Plate	STARTUP-3
Figure 3: Guard Removal, Driver Half	STARTUP-3
Figure 4: Guard Removal, Pump Half	STARTUP-4
Figure 5: Mounting Indicator	STARTUP-6
Figure 6: Setting Impeller Clearance	STARTUP-7
Figure 7: Required Guard Parts	STARTUP-8
Figure 8: Guard Install, Slide Pump Half	STARTUP-9
Figure 9: Guard Install, Slide Motor Half	STARTUP-10
Figure 10: Guard Install, Slide End Plate	STARTUP-10
Figure 11: Guard Install, Slide Motor Half to Fit	STARTUP-11
Figure 12: Power End – Lube Fill	STARTUP-12
Figure 13: Pump Priming – Supply Above Pump	STARTUP-13
Figure 14: Pump Priming – Foot Valve	STARTUP-14
Figure 15: Pump Priming – Foot Valve and Bypass	STARTUP-14

## Tables

Table 1: Impeller Clearances	STARTUP-5
Table 2: Guard Installation Guidelines	STARTUP-8
Table 3: Lubrication Capacities	STARTUP-11
Table 4: Oil Requirements Based on Temperature	STARTUP-12
Table 5: Recommended Lubricants	STARTUP-12

## Figures

Figure 1: Guard Removal	MAINT-5
Figure 2: Back Pullout Removal	MAINT-6
Figure 3: Coupling Hub Removal	MAINT-7
Figure 4: Impeller Removal	MAINT-7
Figure 5: Impeller O-Ring	MAINT-8
Figure 6: Impeller Plug Removal (Group 4)	MAINT-8
Figure 7: Impeller O-Ring (Group 4)	MAINT-9
Figure 8: Seal Chamber Removal	MAINT-10
Figure 9: Mechanical Seal Removal	MAINT-10
Figure 10: Adapter Removal	MAINT-11
Figure 11: Labyrinth Seal Removal	MAINT-11
Figure 12: Shaft Assembly Removal	MAINT-12
Figure 13: Hardware Removal	MAINT-12
Figure 14: Bearing Housing Removal	MAINT-13
Figure 15: Bearing Removal	MAINT-13
Figure 16: Hardware Removal Grp 1/2 Duplex Brg	MAINT-14
Figure 17: Bearing Removal Grp 1/2 Duplex Brg	MAINT-14
Figure 18: Labyrinth Seal Removal – Brg Hsg	MAINT-15
Figure 19: Shaft Assembly Removal	MAINT-15
Figure 20: Hardware Removal Grp 3	MAINT-16
Figure 21: Bearing Removal Grp 3	MAINT-16
Figure 22: Labyrinth Seal Removal Grp 3	MAINT-17
Figure 23: Shaft Assembly Removal Grp 4	MAINT-17
Figure 24: Flinger and Bearing Removal Grp 4	MAINT-18
Figure 25: Bearing Housing Removal Grp 4	MAINT-18
Figure 26: Bearing Housing Disassembly Grp 4	MAINT-19
Figure 27: Shaft Assbly Removal Grp 4 Duplex Brg	MAINT-19
Figure 28: Flinger and Brg Removal Grp 4 Duplex Brg	MAINT-20
Figure 29: Brg Housing Removal Grp 4 Duplex Brg	MAINT-20
Figure 30: Brg Hsg Disassembly Grp 4 Duplex Brg	MAINT-21
Figure 31: Bearing Frame Disassembly Grp 4	MAINT-22
Figure 32: Casing Inspection	MAINT-23
Figure 33: Impeller Wear Inspection	MAINT-24
Figure 34: Shaft TIR Inspection	MAINT-25
Figure 35: Bearing Frame Surface Inspection	MAINT-26
Figure 36: Casing Cover Inspection – Std. Bore	MAINT-27
Figure 37: Casing Cover Inspection – Big Bore	MAINT-27
Figure 38: Casing Cover Inspection – Taper Bore	MAINT-28
Figure 39: Bearing Housing Inspection Grp 1/2	MAINT-29
Figure 40: Bearing Housing Inspection Grp 3	MAINT-29
Figure 41: Bearing Housing Inspection Grp 4	MAINT-30
Figure 42: Bearing Frame Assembly	MAINT-31
Figure 43: Shaft Assembly	MAINT-32
Figure 44: Shaft Assembly Installation	MAINT-33
Figure 45: Bearing Frame Assembly – Duplex Brg	MAINT-34
Figure 46: Duplex Bearing Installation on Shaft	MAINT-34
Figure 47: Shaft Assembly – Duplex Brg	MAINT-35

## Maintenance

Schedule	MAINT-2
Bearings	MAINT-2
Lubrication Requirements	MAINT-3
Mechanical Seal Maintenance	MAINT-3
Disassembly	MAINT-4
Precautions	MAINT-4
Required Tools	MAINT-4
Drain Pump	MAINT-5
Coupling Removal	MAINT-5
Back Pull-Out Removal	MAINT-5
Impeller Removal	MAINT-7
Casing Cover Removal	MAINT-9,10
Bearing Frame Disassembly	MAINT-11-21
Pre-Assembly Checks	MAINT-21
Part Replacement Guidelines	MAINT-22
Bearing Frame Inspection	MAINT-26
Seal Chamber Inspection	MAINT-27,28
Bearing Housing Inspection	MAINT-28
Bearing Fits and Tolerances	MAINT-30
Reassembly	MAINT-31
Group 1,2	MAINT-31-36
Group 3	MAINT-36-39
Group 4	MAINT-40-43
Power Frame Assembly	MAINT-43-47
ISOMAG Labyrinth Seal Information	MAINT-47
Final Assembly Checks	MAINT-48-55

# TABLE OF CONTENTS

Figure 48: Housing Assembly – Duplex Brg	MAINT-35
Figure 49: Shaft Assembly Installation – Duplex Brg	MAINT-36
Figure 50: Bearing Frame Assembly – Grp 3	MAINT-37
Figure 51: Duplex Bearing Installation on Shaft Grp 3	MAINT-37
Figure 52: Shaft Assembly Duplex Brg – Grp 3	MAINT-38
Figure 53: Housing Assembly – Grp 3	MAINT-38
Figure 54: Shaft Assembly Installation – Grp 3	MAINT-39
Figure 55: Bearing Frame Assembly – Grp 4	MAINT-40
Figure 56: Bearing Housing Assembly – Grp 4	MAINT-41
Figure 57: Flinger and Bearing Installation – Grp 4	MAINT-41
Figure 58: Final Assembly - Grp 4	MAINT-42
Figure 59: Shaft Assembly Installation - Grp 4	MAINT-42
Figure 60: Shaft End Play Inspection	MAINT-43
Figure 61: Shaft Sleeve TIR Inspection	MAINT-44
Figure 62: Frame Face TIR Inspection	MAINT-44
Figure 63: Frame Adapter Installation	MAINT-45
Figure 64: Frame Adapter TIR Inspection	MAINT-45
Figure 65: Bearing Isolator Installation	MAINT-46
Figure 66: ISOMAG Oil Seal Assembly	MAINT-47
Figure 67: INPRO Labyrinth Oil Seal Assembly	MAINT-48
Figure 68: Mechanical Seal Installation	MAINT-50
Figure 69: Seal Chamber TIR Inspection	MAINT-51
Figure 70: Shaft Sleeve Installation	MAINT-51
Figure 71: Impeller Installation	MAINT-52
Figure 72: Setting Impeller Clearance	MAINT-53

Figure 3: Group 3 Pump Exploded View	PARTS-5
Figure 4: Group 4 Pump Exploded View	PARTS-5

## Tables

Table 1: Parts Lists	PARTS-2,3
Table 2: Key	PARTS-3

## Tables

Table 1: Oil Change Schedule	MAINT-2
Table 2: Oil Fill Capacity	MAINT-3
Table 3: Oil Requirements Based on Temp	MAINT-3
Table 4: Recommended Oils	MAINT-3
Table 5: Labyrinth Oil Seal Fit	MAINT-11
Table 6: When to Replace Impeller	MAINT-24
Table 7: Shaft TIR Tolerances	MAINT-25
Table 8: Bearing Housing Checks	MAINT-28
Table 9: Bearing Fits and Tolerances	MAINT-30
Table 10: Shaft End Play	MAINT-43
Table 11: ISOMAG Oil Seal Detail	MAINT-47
Table 12: ISOMAG Oil Seal Installation	MAINT-47
Table 13: INPRO Labyrinth Oil Seal Installation	MAINT-48
Table 14: INPRO Labyrinth Oil Seal Installation	MAINT-49
Table 15: Impeller Installation	MAINT-52
Table 16: Bolt Torque Values	MAINT-54
Table 17: Casing Bolt Torque Values	MAINT-55
Table 18: Bearing Designations	MAINT-55

## Parts List

### Figures

Figure 1: Group 1 Pump Exploded View	PARTS-4
Figure 2: Group 2 Pump Exploded View	PARTS-4

# Introduction and Safety

# Introduction

The purpose of this manual is to provide necessary information for installation, operation and maintenance of the PumpWorks Industrial Model PWA

## CAUTION

### **CAUTION:**

*Read this manual carefully before installing and using the product. Improper use of the product can cause personal injury and damage to property, and may void the warranty.*

## Safety terminology and symbols

### About safety messages

It is extremely important that you read, understand, and follow the safety messages in this manual before handling the product. They are published to help prevent these specific hazards:

- Personal accidents and health
- Product damage
- Product malfunction

### Hazard criteria

## DANGER

### **DANGER:**

*A situation where a hazard, if not avoided, will result in serious bodily injury and/or death.*

## WARNING

### **WARNING:**

*A situation where a hazard, if not avoided, could result in serious bodily injury and/or death.*

## CAUTION

### **CAUTION:**

*A situation where a hazard, if not avoided, could result in less severe bodily injury.*

## **NOTICE**

### **NOTICE:**

*A potential situation, which if not avoided, could lead to product malfunctions.*

## Safety

## WARNING

### **WARNING:**

- *The operator must be aware of safety precautions to prevent physical injury.*
- *Any pressure-containing device can explode, rupture, or discharge its contents if it is overpressurized. Take all necessary measures to avoid over-pressurization.*
- *Operating, installing, or maintaining the unit in any way that is not intended could cause death, serious personal injury, or damage to the equipment. This includes any modification to the equipment or use of parts not provided by PW-IND. If there is a question regarding the intended use of the equipment, please contact a PW-IND representative before proceeding.*
- *This manual clearly identifies accepted methods for disassembling units. These methods*

*must be followed. Trapped liquid can rapidly expand and result in a violent explosion and injury. Never apply heat to impellers or their retaining devices to aid in their removal unless explicitly stated in this manual.*

- *If the pump/motor is damaged or leaking, do not operate as it may cause an electric shock, fire, explosion, release of toxic fumes, physical harm, or environmental damage. Correct/repair the problem prior to putting the pump back in service.*
- *Do not change the service application without the approval of an authorized PW-IND representative.*

## User safety

### General safety rules

These safety rules apply:

- Always keep the work area clean.
- Pay attention to the risks presented by gas and vapors in the work area.
- Avoid all electrical dangers. Pay attention to the risks of electric shock or arc flash hazards.

### Safety equipment

Use safety equipment according to local regulations. Use this safety equipment

within the work area:

- Helmet
- Safety glasses
- Protective shoes
- Protective gloves
- Gas mask
- Hearing protection
- Safety devices

### NOTICE

#### **NOTICE:**

*Never operate a unit unless safety devices are installed. Also see specific information about safety devices in other chapters of this manual.*

### Electrical connections

Electrical connections must be made by certified electricians in compliance with all international, national, state, and local codes.

### Precautions before work

- Provide a suitable barrier around the work area, for example, a guard rail.
- Make sure that all safety guards are in place and secure.
- Make sure that you have a clear path of retreat.
- Make sure that the product cannot roll or fall over and injure people or damage property.
- Make sure that the lifting equipment is in good condition.
- Use a lifting harness, a safety line, and a breathing device as required.
- Allow all system and pump components to cool before you handle them.
- Make sure that the product has been thoroughly cleaned.
- Disconnect and lock out power before you service the pump.



- Check the explosion risk before you weld or use electric hand tools.

## Precautions during work



### **CAUTION:**

*Read this manual carefully before installing and using the product. Improper use of the product can cause personal injury and damage to property, and may void the warranty.*

- Always wear Personal Protective Equipment (PPE).
- Always lift the product as illustrated in the Transportation and Storage Section.
- Beware of the risk of a sudden start if the product is used with an automatic control.
- Clean all components thoroughly after pump disassembly.
- Do not exceed the maximum working pressure of the pump.
- Do not open any vent or drain valve or remove any plugs while the system is pressurized.
- Make sure that the pump is isolated from the system and that pressure is relieved before you disassemble the pump, remove plugs, or disconnect piping.
- Never operate a pump without a properly installed coupling guard.

## Product Warranty

### Basic Coverage

PW-IND will remedy faults in products under these conditions:

- The faults are due to defects in design, materials, or workmanship.
- The faults are reported to a PW-IND representative within the warranty period.
- The product is used only under the conditions described in this manual.
- All service and repair work is done by PW-IND authorized personnel.
- Genuine PW-IND parts are used.

***PW-IND will replace the Power End for 5 years after shipment, regardless of cause of failure. Contact your PW-IND representative for more information on the Power End warranty program.***

### Limitations to Warranty:

Except where noted above, the warranty **does not** cover faults caused by these situations:

- Deficient maintenance
- Improper installation
- Modifications or changes to the product and installation made without consulting PW-IND
- Incorrectly executed repair work
- Normal wear and tear

PW-IND assumes no liability for these situations:

- Bodily injuries
- Material damages
- Economic losses

- Environmental damage

# Product Description

**General description PWA**

is ANSI

The PWA is a horizontal overhung, open impeller, centrifugal pump. This pump is B73.1 compliant.



**Figure 1: PWA pump**

**Table 1 : Hydraulic sizes per drive unit size**

Drive-unit size group	Number of hydraulic sizes
Group 1	5
Group 2	15
Group 3	11
Group 4	9

## Part description PWA

**Table 2: Pump casing parts**

Part	Description
Discharge	Top-centerline
Casing	Self venting
Gasket	Fully confined
Mounting method	Integral foot
Standard flange	ANSI class 150# flat-face serrated flange
Optional flanges	<ul style="list-style-type: none"><li>• ANSI class 150# raised-face serrated flange</li><li>• ANSI class 300# flat-face serrated flange</li><li>• ANSI class 300# raised-face serrated flange</li></ul>

### Impeller

The impeller is

- Fully open
- Threaded to the shaft
- The threads are sealed from the pumped liquid by an o-ring.

### Cover

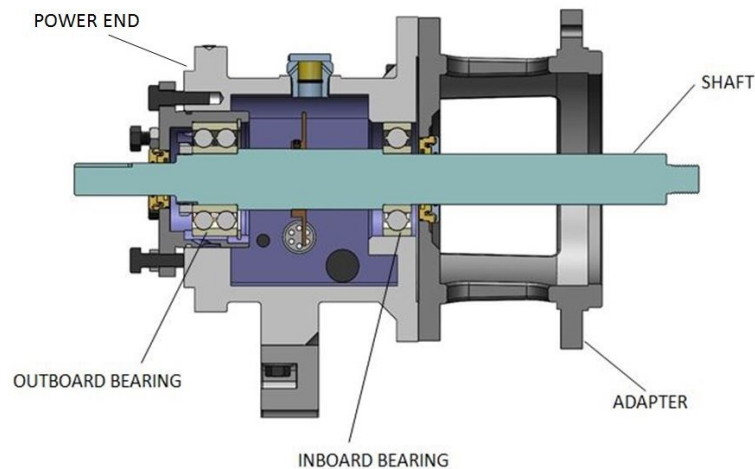
Standard seal

- The PWA is available with three stuffing-box / seal chamber

- designs
- Standard Bore
  - Big Bore
  - Taper Bore

**Table 3: Power end main parts**

Part	Description
Frame adapter	The carbon steel frame adapter has <ul style="list-style-type: none"> <li>• A machined rabbet fitted to the seal chamber/ stuffing box</li> </ul>
Power end	<ul style="list-style-type: none"> <li>• Flinger oil lubrication is standard.</li> <li>• No machining is required to convert from oil to grease or oil-mist lubrication. Regreaseable bearings and oil-mist lubrication are optional.</li> <li>• The oil level is checked through a sight glass located on both sides of the power end.</li> <li>• The power end is sealed with labyrinth seals.</li> <li>• The power end is made in the following sizes:               <ul style="list-style-type: none"> <li>• Group 1</li> <li>• Group 2</li> <li>• Group 3</li> <li>• Group 4</li> <li>• Group 4.17</li> </ul> </li> </ul>
Shaft	The shaft is available with or without a sleeve.
Bearings	<p>The Non-Drive End (INBOARD) bearing</p> <ul style="list-style-type: none"> <li>• Carries only radial loads.</li> <li>• Is free to float axially in the frame.</li> <li>• Is a single-row deep-groove ball bearing</li> </ul> <p>The Drive End (OUTBOARD) bearing</p> <ul style="list-style-type: none"> <li>• Is shouldered and locked to the shaft and housing to enable it to carry radial and thrust loads.</li> <li>• Is a double-row angular-contact bearing, except for the Group 3 which uses a pair of single-row angular-contact ball bearings mounted back-to-back.</li> </ul>



**Figure 2: PWA Power End Cross Sectional**

**Important information for ordering**

Every pump has nameplates that provide information about the pump. The nameplates are located on the casing and the bearing frame. When you order spare parts, identify this pump information:

- Model
- Size
- Serial number
- Item numbers of the required parts

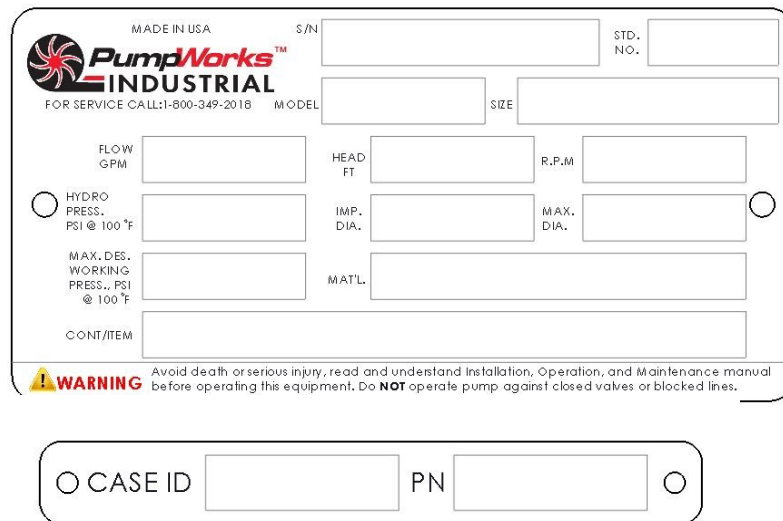
Refer to the nameplate on the pump casing for most of the information. See Parts List for item numbers.

### Nameplate types

**Table 4: Nameplate Description**

Nameplate	Description
Pump casing	Provides information about the hydraulic characteristics of the pump. Discharge x Suction x Nominal Maximum Impeller diameter (in inches). (Example: 2x3x8)
Bearing frame	Provides information about the bearings, lubrication and power end specific serial number.
ATEX	If applicable, your pump unit might have an ATEX nameplate affixed to the pump, the baseplate, or the discharge head. The nameplate provides information about the ATEX specifications of this pump.

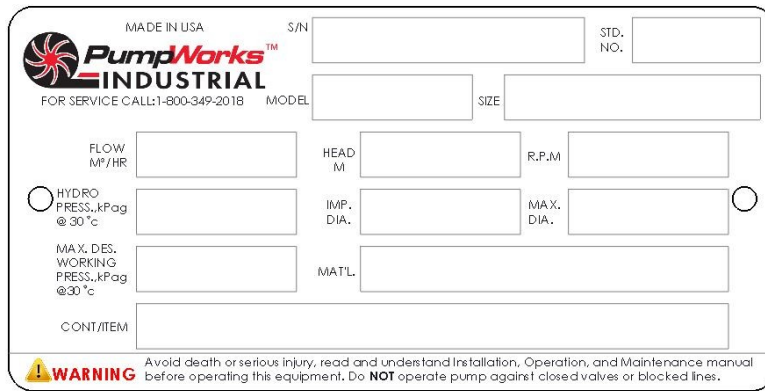
**Figure 3: Nameplate on the pump casing using English units**



**Table 5: Definition of nameplate on the pump casing english units**

Nameplate field	Definition
IMPLR. DIA.	Trimmed Impeller diameter, in inches
MAX. DIA.	Maximum impeller diameter, in inches
GPM	Rated pump flow, in gallons per minute
FT HD	Rated pump head, in feet
RPM	Rated pump speed, revolutions per minute
MOD.	Pump model
SIZE	Size of the pump
STD. NO.	ANSI standard designation
MAT L. CONST.	Material of which the pump is constructed
SER. NO.	Serial number of the pump
MAX DSGN PSI @ 100°F	Maximum pressure at 100°F according to the pump design

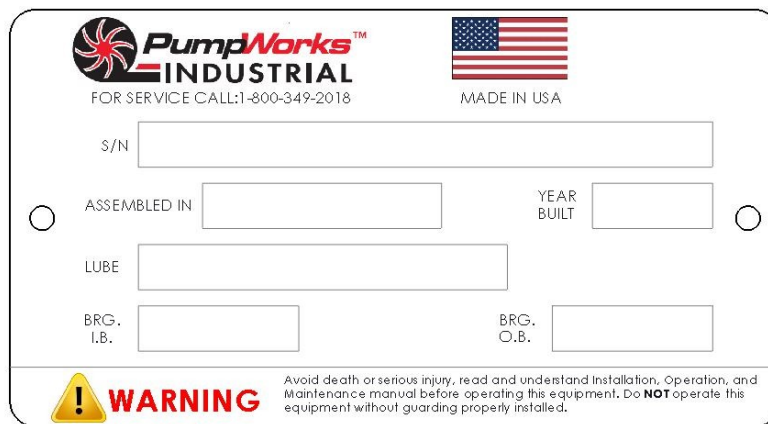
**Figure 4: Nameplate on the pump casing using metric units**



**Table 6: Definition of nameplate on the pump casing in metric units**

Nameplate field	Definition
IMPLR. DIA.	Impeller diameter, in mm
MAX. DIA.	Maximum impeller diameter, in mm
M <sup>3</sup> /HR	Rated pump flow, in cubic meters per hour
M HD	Rated pump head, in meters
RPM	Rated pump speed, in revolutions per
MOD.	Pump model
SIZE	Size of the pump
STD. NO.	ANSI standard designation
MAT L. CONST	Material of which the pump is constructed
SER. NO.	Serial number of the pump
MAX. DSGN Pressure kPag 30°C	Maximum Design Working Pressure @ 30°C

**Figure 5: Nameplate on the bearing frame**



**Table 7: Explanation of the nameplate on the Bearing Frame Assembly**

Nameplate field	Definition
BRG. O. B.	Outboard bearing designation (Drive
BRG. I. B.	Inboard bearing designation (Non-Drive
S/N	Serial number of the Bearing Frame
LUBE	Oil or Grease Type





# Transportation and Storage

# Inspect the delivery

## Inspect the package

1. Inspect the package for damaged or missing items upon delivery.
2. Note any damaged or missing items on the receipt and freight bill.
3. File a claim with the shipping company immediately if anything is out of order.

NOTE: Contact your local PW-IND sales office if any items are missing or for replacement components.

## Inspect the pump unit

1. Inspect the product to determine if any parts have been damaged or are missing.
2. Note and report any evidence of damaged paint to your PW-IND representative. This might be evidence of impact damage during shipment that could result in reduced product performance.

# Transportation guidelines

## Pump handling



**WARNING**

### **WARNING:**

- *Make sure that the unit cannot roll or fall over and injure people or damage property.*
- *PW-IND pumps contain sensitive parts that can be damaged if dropped or subjected to impact. Handle the equipment with care and do not attempt to install or operate a pump unit that is damaged.*



**WARNING**

## Lifting methods

### **WARNING:**

- *All lifting must be done in compliance with all applicable regulations/standards.*
- *Assembled units and their components are heavy. Failure to properly lift and support this equipment can result in serious physical injury and/or equipment damage. Lift equipment only at the specifically identified lifting points.*
- *Crush hazard. The unit and the components can be heavy. Use proper lifting methods and wear steel-toed shoes at all times.*
- *Do not lift any pump or motor by attaching lifting equipment to shaft ends.*

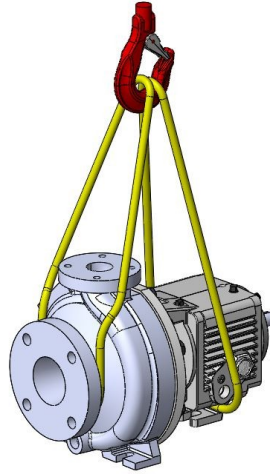
**Table 1: Lifting Methods**

<b>Pump type</b>	<b>Lifting method</b>
A bare pump without lifting handles	Use a suitable sling attached properly to solid points like the casing, the flanges, or the frames.
A base-mounted pump	Use slings under the pump casing and the drive unit, or under the base rails.

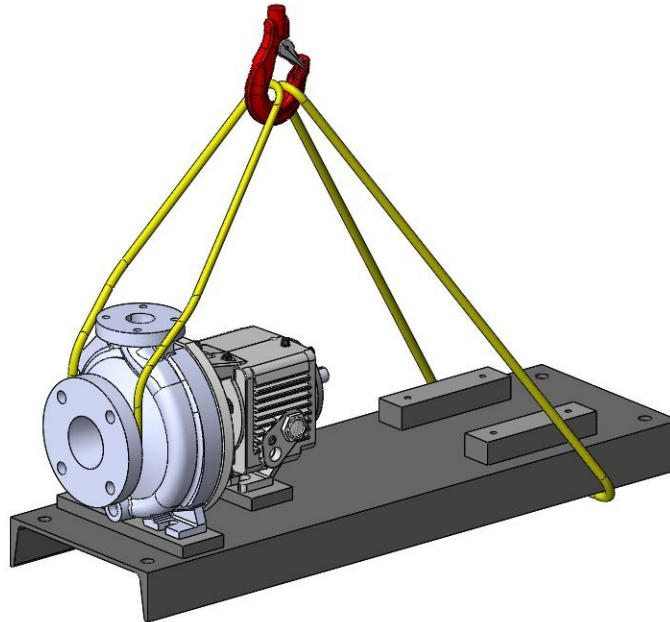
Mounted on a Polymer Composite Baseplate

See separate information regarding the Polymer Composite Baseplate.

## Examples



**Figure 1: Example of Proper Lifting - Bare Pump**

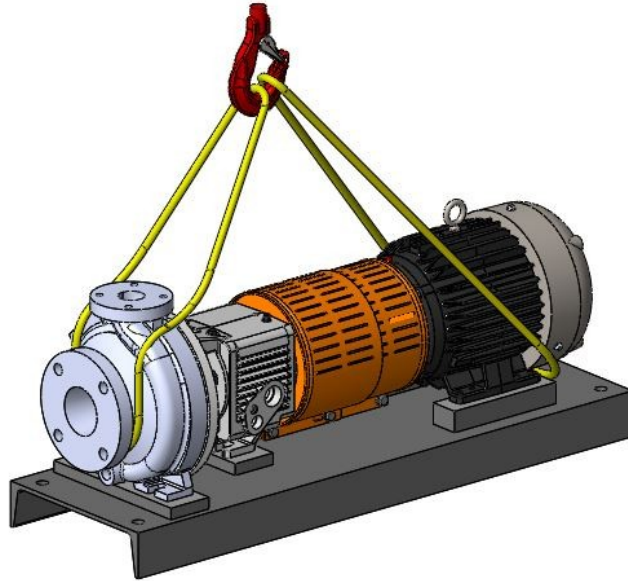


**NOTICE**

**NOTICE:**

Do not use this lifting method to lift a Polymer Composite Baseplate with the pump and motor mounted. Doing so may result in equipment damage.

**Figure 2: Example of Proper Lifting - Base Mounted Pump**



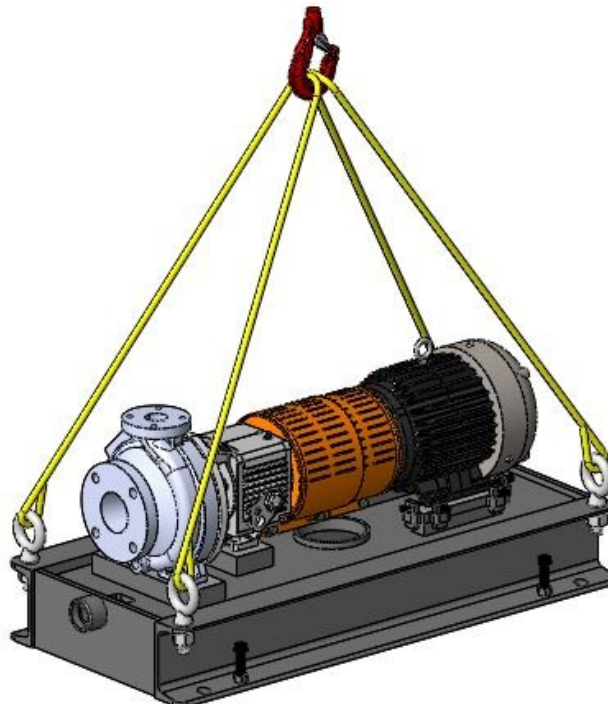
**NOTICE**  
motor fan shroud

**NOTICE:**  
Ensure that lifting strap is located at motor feet-frame, and clear of prior to lifting.

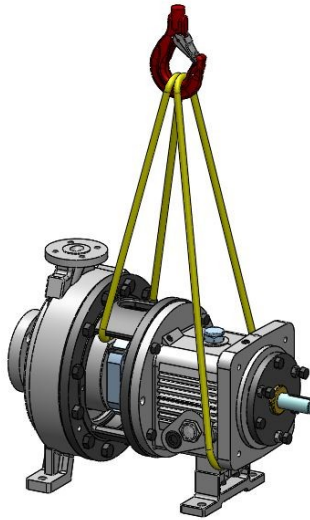
**NOTICE**  
the pump and

**NOTICE:**  
Do not use this lifting method to lift a Polymer Composite Baseplate with motor mounted. Doing so may result in equipment damage.

**Figure 3: Example of Proper Lifting - Base Mounted Pump with Motor**



**Figure 4: Example of Proper Lifting - Fabricated Base Mounted Pump with Motor**



**Figure 5: Example of Proper Lifting - Pump with Frame**

Adapter

## Storage guidelines

### Pump storage requirements

Storage requirements depend on the amount of time the pump unit will be stored prior to installation and start up. The normal packaging is designed only to protect the unit during shipping.

**Table 2: Storage**

Length of time in storage	Storage requirements
Upon receipt/short-term (less than six months)	<ul style="list-style-type: none"> <li>• Store in a covered and dry location.</li> </ul>
Long-term (more than six months)	<ul style="list-style-type: none"> <li>• Store in a covered and dry location.</li> <li>• Store the unit free from heat, dirt, and vibration.</li> <li>• Rotate the shaft by hand several times at least every month ensuring that the shaft is not in</li> </ul>

**NOTICE**

**NOTICE:**

*Risk of damage to the mechanical seal or shaft sleeve on units supplied with cartridge mechanical seals. Follow seal manufacture's recommendations for long term storage.*

Treat bearing and machined surfaces so that they are well preserved. Refer to motor and coupling manufacturers for their long-term storage procedures.

Long term storage preparation is available as part of initial product purchase or after your pump has been delivered. Contact your local PW-IND sales representative.

## Frostproofing

**Table 3: Situations when the pump is or is not frostproof**

<b>Situation</b>	<b>Condition</b>
Operating	The pump is frostproof.
Not Operating	The pump internals might be subject to frost damage. Protect non-operational units with climate control or an anti-freeze solution in the casing. <b>NEVER USE AN ANTI-FREEZE AGENT IN THE PUMP BEARING HOUSING.</b>

# Installation

## Precautions



**WARNING:**

- When installing in a potentially explosive environment, make sure that the motor and other electrical equipment are properly rated for the area of classification.
- You must ground all electrical equipment. This applies to the pump equipment, the driver, and any monitoring equipment. Test the ground lead to verify that it is connected correctly.
- Electrical Connections must be made by certified electricians in compliance with all international, national, state, and local rules.

**NOTICE**

**NOTICE:**

Supervision by an authorized PWA-IND representative is recommended to ensure proper installation. Failure to do so may result in equipment damage.

## Pump location guidelines

**Table 1: Guidelines for locations**

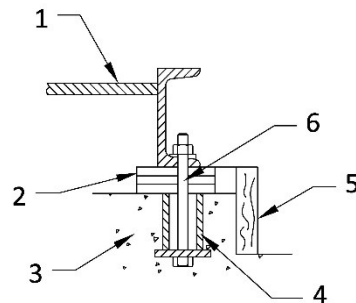
Guideline	Explanation/comment
Keep the pump as close to the liquid source as possible.	This minimizes friction loss and keeps the suction piping as
Make sure that the space around the pump is sufficient.	This facilitates ventilation, inspection, maintenance, and service.
If you require lifting equipment such as a hoist or tackle, make sure that there is enough space above the pump.	This makes it easier to properly use the lifting equipment and safely remove and relocate the components to a safe location.
Take into consideration the occurrence of unwanted noise and vibration.	The best pump location for noise and vibration absorption is on a concrete floor.

## Foundation requirements

### Requirements

- The foundation must form a permanent, rigid support for the unit.
- The location and size of the foundation fasteners should be in accordance with those shown on the construction drawing provided with the pump data package.
- The foundation must weigh between three and five times the weight of the entire pump package.
- Ensure foundation is level and free of discontinuity to prevent distortion when foundation bolts are tightened.

1. Baseplate
2. Shims or wedges
3. Foundation

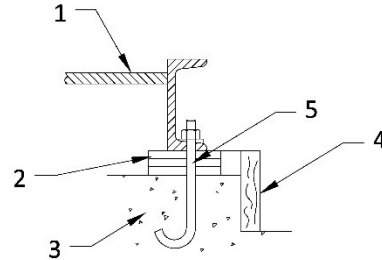




4. Sleeve
5. Form
6. Bolt

**Figure 1: Sleeve-type bolts**

1. Baseplate
2. Shims or wedges
3. Foundation
4. Form
5. Bolt



**Figure 2: J-type bolts**

## Baseplate mounting procedures

### Prepare the baseplate for mounting

1. Remove the pump and motor from the baseplate.
2. Clean the underside of the baseplate completely.
3. If applicable, coat the underside of the baseplate with a re-primable epoxy-based grout pads using an appropriate solvent.
4. Remove the rust-proof coating from the machined mounting pads using an appropriate solvent.
5. Remove water and debris from the foundation-bolt holes.

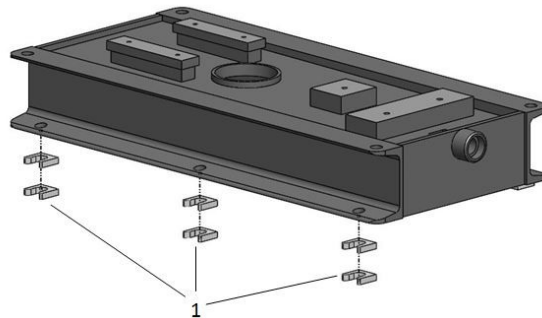
### Install the baseplate using shims

Required tools:

- Two sets of shims for each foundation bolt
- Two machinist's levels

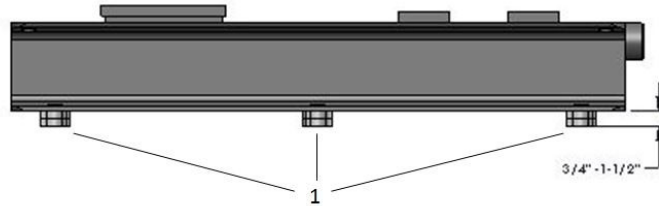
This procedure is applicable to fabricated steel baseplates.

1. If you use sleeve-type bolts, fill the bolt sleeves with packing material or rags to prevent grout from entering the bolt sleeves.
2. Set shims on each side of each foundation bolt.  
The shims should have a height of between 0.75 in. (19 mm) and 1.50 in. (38mm).



1. Shims

**Figure 3: Top view**



1. Shims

**Figure 4: Side view**

3. Lower the baseplate carefully onto the foundation bolts.
4. Set the machinist's levels across the mounting pads of the driver and the mounting pads of the pump.

**NOTICE**

**NOTICE:**

*Remove all dirt from the mounting pads in order to make sure that you achieve the correct level indication.*

5. Level the baseplate both lengthwise and across by adding or removing shims.  
**The correct level measurement is a maximum of 0.005 in./ft (400 micrometers/m).**
6. Hand-tighten the foundation bolts.

## Install the baseplate using jackscrews

Tools required:

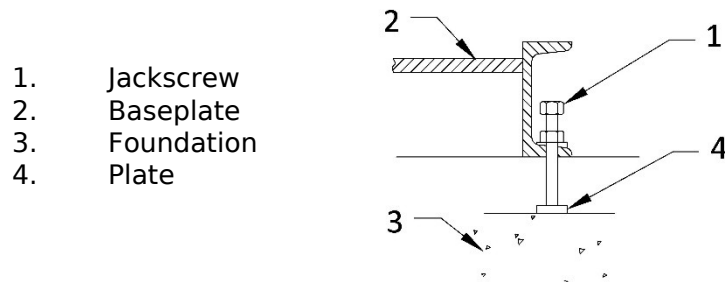
- Anti-seize compound
- Jackscrews
- Bar stock
- Two machinist's levels

This procedure is applicable to the Fabricated Steel *PLUS* baseplate and the Polymer Composite Baseplate

1. Apply an anti-seize compound on the jackscrews.  
The compound makes it easier to remove the screws after grouting.
2. Lower the baseplate carefully onto the foundation bolts and perform these steps:
  - a) Cut plates from bar stock and chamfer the edges of the plates in order to reduce stress concentrations.
  - b) Put the plates between the jackscrews and the foundation surface.
  - c) Use the jackscrews to raise the baseplate above the foundation.

For grouted installations, make sure that the distance between the baseplate and the foundation surface is between 0.75 in. (19 mm) and 1.50 in. (38 mm).

For non-grouted installations, the baseplate should be raised the minimum distance required for leveling.



1. Jackscrew
2. Baseplate
3. Foundation
4. Plate

**Figure 5: Jackscrew bolts**

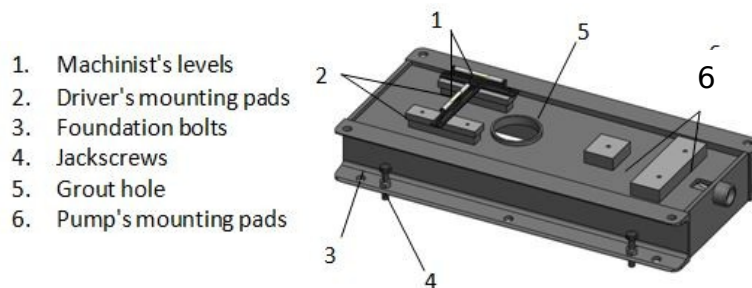
3. Level the driver mounting pads:  
**The correct level measurement is a maximum of 0.005 in./ft (400 micrometers/m).**

**NOTICE**

**NOTICE:**  
*Remove all dirt from the mounting pads in order to make sure that you achieve the correct level indication.*

**The correct level measurement is a maximum of 0.005 in./ft (400 micrometers/m).**

- a) Put one machinist's level lengthwise on one of the two pads.
- b) Put the other machinist's level across the ends of the two pads.
- c) Level the pads by adjusting the four jackscrews in the corners.

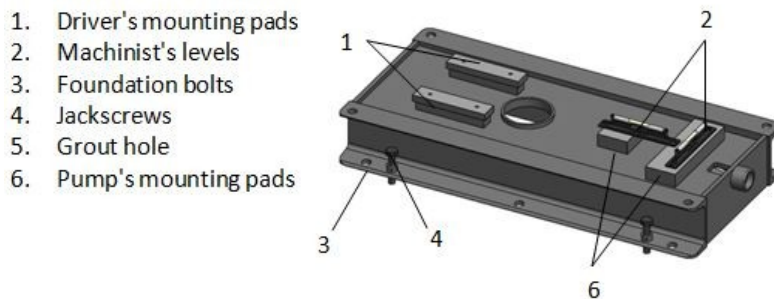


1. Machinist's levels
2. Driver's mounting pads
3. Foundation bolts
4. Jackscrews
5. Grout hole
6. Pump's mounting pads

**Figure 6: Leveling baseplate - motor pads**

4. Level the pump mounting pads.  
**The correct level measurement is a maximum of 0.005 in./ft (400 micrometers/m).**
  - a) Put one machinist's level lengthwise on one of the two pads.
  - b) Put the other level across the center of the two pads.
  - c) Level the pads by adjusting the four jackscrews in the corners.

Make sure that the machinist's level readings are as close to zero as possible, both lengthwise and across.



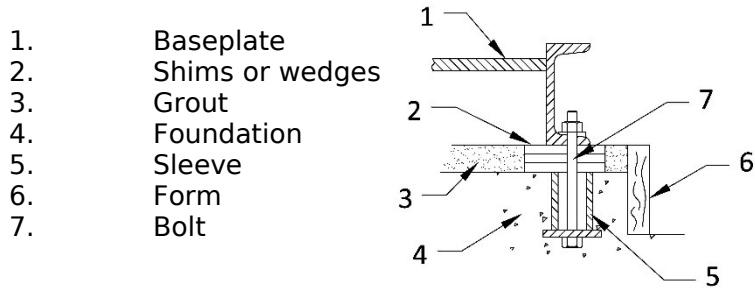
**Figure 7: Leveling baseplate - pump pads**

5. Hand-tighten the nuts for the foundation bolts.
6. Check that the driver's mounting pads are level and adjust the jackscrews and the foundation bolts if necessary.

## Grout the baseplate

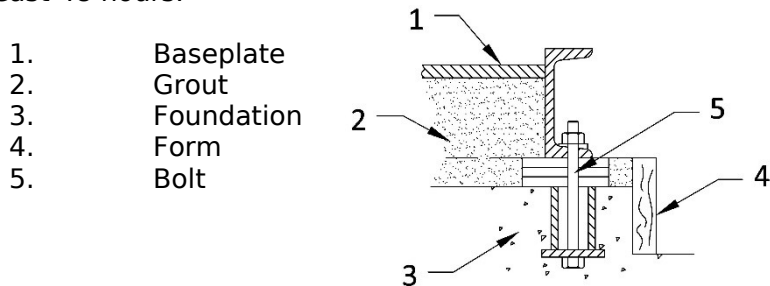
Required equipment:

- Cleaners: Do not use an oil-based cleaner because the grout will not bond to it. See the instructions provided by the grout manufacturer.
  - Grout: Non-shrink grout is recommended.
1. Clean all the areas of the baseplate that will come into contact with the grout.
  2. Build a form around the foundation.
  3. Refer to API 686 and grout manufactures installation instructions.
  4. Pour grout through the grout hole into the baseplate up to the level of the form.  
When you pour the grout, remove air bubbles by using one of these methods.
    - Refer to API 686 and grout manufactures installation instructions.
  5. Allow the grout to set 48 hours.



**Figure 8: Initial Grout**

- Fill the remainder of the baseplate with grout, and allow the grout to set for at least 48 hours.



**Figure 9: Final Grout**

- Refer to the grout manufacturer's instructions for tightening the foundation bolts. Over tightening the foundation bolts before proper cure can damage the grout and distort the baseplate.
- Ping test baseplate for voids. Where voids are located, drill and tap an air release hole and an opposing hole. Tap and thread opposing hole with zirc fitting and gently fill void with grout.

**WARNING**

**WARNING:**

- Always re-confirm baseplate level AFTER GROUTING per the procedure in this section prior to re-installing the pump and motor.

## Install the pump, driver, and coupling

- Mount and fasten the pump on the baseplate. Use appropriate bolts.
- Mount the driver on the baseplate. Use appropriate bolts and

hand tighten.

3. Install the coupling.  
(See the installation instructions from the coupling

manufacturer.)

## Pump-to-driver alignment

### Precautions

#### WARNING

#### WARNING:

- Follow shaft alignment procedures in order to prevent catastrophic failure of drive components or unintended contact of rotating parts. Follow the coupling installation and operation procedures from the coupling manufacturer.
- Always disconnect and lock out power all potential energy sources (electrical, hydraulic, pneumatic, etc.) before you perform any installation maintenance tasks. Failure to do so will result in serious physical injury.
- Refer to driver/coupling/gear manufacturers installation and operation manuals (IOM) for specific instructions and recommendations.

#### NOTICE

#### NOTICE:

Each PW-IND complete pump package is factory aligned to ensure assembly integrity. **It is the user's responsibility to perform a final alignment before start up.**

## Alignment checks

### When to perform alignment checks

Additional alignment checks are REQUIRED when:

- The process temperature changes.
- The piping changes.
- The pump has been serviced.

### Types of alignment checks

Table 2: Alignment checks

Type of alignment	When to perform
Initial alignment (cold alignment)	Prior to operation when the pump and the driver are at ambient temperature.
Final alignment (hot alignment)	After operation when the pump and the driver are at operating temperature.

### Initial alignment (cold alignment)

Table 3: Initial alignment - cold

When	Why
------	-----

Before you grout the	This ensures that alignment can be accomplished.
After you grout the baseplate	This ensures that no changes have occurred during the grouting process.
After you connect the piping	This ensures that pipe strains have not altered the alignment. If changes have occurred, you must alter the

## Final alignment (hot alignment)

**Table 4: Final alignment - hot**

When	Why
After the first run	This ensures correct alignment when both the pump and the driver are at operating
Periodically	This follows the plant operating procedures

## Permitted indicator values for alignment checks

### NOTICE

temperature. Failure to do so can result in misalignment and reduced pump reliability.

### NOTICE:

The specified permitted reading values are valid only at operating temperature. For cold settings, other values are permitted. You must use the correct tolerances.

When dial indicators are used to check the final alignment, the pump and drive unit are correctly aligned when these conditions are true:

- The total indicator runout (TIR) is a maximum of 0.002 in. (0.05 mm) parallel offset at operating temperature.
- The tolerance of the indicator is 0.0005 in./in. (0.0127 mm/mm) angularity of indicator separation at operating temperature.

## Cold settings for parallel vertical alignment

A vertical offset of the pump driver is required during the cold alignment process. Consult the driver installation manual or your PW-IND representative for the proper vertical offset.

## Alignment measurement guidelines

**Table 5: Measurement guidelines**

Guideline	Explanation
Rotate the pump coupling half and the driver coupling half together so that the indicator rods have contact with the same points on the driver coupling half.	This prevents incorrect measurement.
Move or shim only the driver in order to make adjustments. Avoid shimming	This prevents strain on the piping installations.
Make sure that the hold-down bolts for the driver feet are tight when you take indicator measurements.	This keeps the driver stationary since movement causes incorrect
Make sure that the hold-down bolts for the driver feet are loose before you make alignment corrections.	This makes it possible to move the driver when you make alignment corrections.
Check the alignment again after any mechanical adjustments.	This corrects any misalignments that an

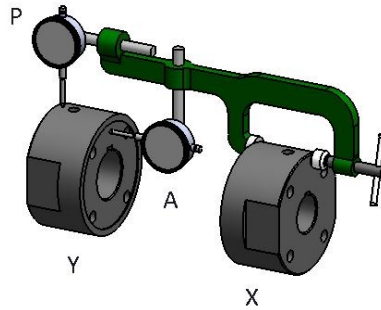
## Attach the dial indicators for alignment

You must have two dial indicators in order to complete this procedure.

1. Attach two dial indicators on the pump coupling half (X):
  - a) Attach one indicator (P) so that the indicator rod comes into contact with the perimeter of the driver coupling half (Y).

This indicator is used to measure parallel misalignment.

- b) Attach the other indicator (A) so that the indicator rod comes into contact with the inner end of the driver coupling half.



- P = Parallel Reading
- A = Angular Reading
- X = Motor Hub
- Y = Pump Hub

**Figure 10: Dial indicator alignment**

2. Rotate the pump coupling half (X) in order to check that the indicators are in contact with the driver coupling half (Y) but do not bottom out.
3. Adjust the indicators if necessary.

## Pump-to-driver alignment instructions

### Perform angular alignment for a vertical correction

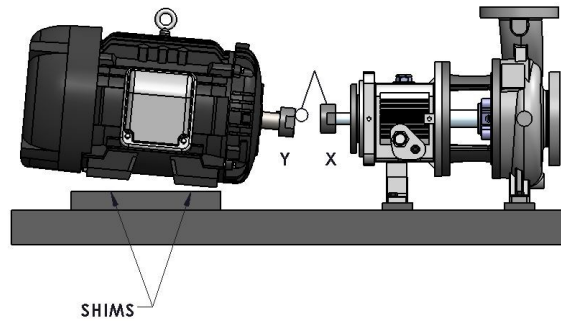
1. Set the angular alignment indicator to zero at the top-center position (12 o'clock) of the driver coupling half (Y).
2. Rotate the indicator to the bottom-center position (6 o'clock).
3. Record the indicator reading.

**Table 6: Angular alignment for vertical correction guidelines**

When the reading value is...	Then...
Negative	<p>The coupling halves are farther apart at the bottom than at the top. Perform one of these steps:</p> <ul style="list-style-type: none"> <li>• Add shims in order to raise the feet of the driver at the shaft end.</li> <li>• Remove shims in order to lower the feet of the</li> </ul>



Positive	<p>The coupling halves are closer at the bottom than at the top. Perform one of these steps:</p> <ul style="list-style-type: none"> <li>• Remove shims in order to lower the feet of the driver at the shaft end.</li> <li>• Add shims in order to raise the feet of the driver at the other end.</li> </ul>
----------	--------------------------------------------------------------------------------------------------------------------------------------------------------------------------------------------------------------------------------------------------------------------------------------------------------------



**Figure 11: Side view of an incorrect vertical alignment**

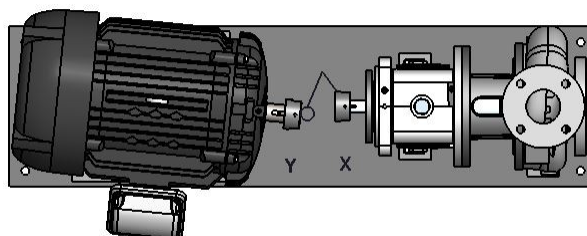
4. Repeat the previous steps until the permitted reading value is achieved.

### Perform angular alignment for a horizontal correction

1. Set the angular alignment indicator (A) to zero on left side of the driver coupling half (Y), 90° from the top-center position (9 o'clock).
2. Rotate the indicator through the top-center position to the right side, 180° from the start position (3 o'clock).
3. Record the indicator reading.

**Table 7: Angular alignment horizontal correction guidelines**

When the reading value is...	Then...
Negative	<p>The coupling halves are farther apart on the right side than the left. Perform one of these steps:</p> <ul style="list-style-type: none"> <li>• Slide the shaft end of the driver to the left.</li> </ul>
Positive	<p>The coupling halves are closer together on the right side than the left. Perform one of these steps:</p> <ul style="list-style-type: none"> <li>• Slide the shaft end of the driver to the right.</li> <li>• Slide the opposite end to the left.</li> </ul>



**Figure 12: Top view of an incorrect horizontal alignment**

4. Repeat the previous steps until the permitted reading value is achieved.

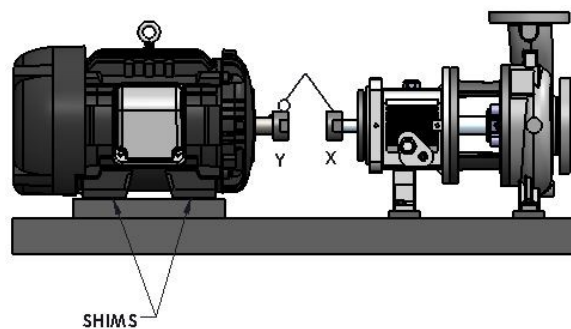
**Perform parallel alignment for a vertical correction**

A unit is in parallel alignment when the parallel indicator (P) does not vary by more than 0.002 in. (0.05 mm) as measured at four points 90° apart at the operating temperature.

1. Set the parallel alignment indicator (P) to zero at the top-center position (12 o'clock) of the driver coupling half (Y).
2. Rotate the indicator to the bottom-center position (6 o'clock).
3. Record the indicator reading.

**Table 8: Parallel alignment for vertical correction guidelines**

When the reading value is...	Then...
Negative	The pump coupling half (X) is lower than the driver coupling half (Y). Remove shims of a thickness equal to half of the indicator reading value under each driver foot.
Positive	The pump coupling half (X) is higher than the driver coupling half (Y). Add shims of a thickness equal to half of the indicator reading value under each driver foot.



**Figure 13: Side view of an correct vertical alignment**

alignment

4. Repeat the previous steps until the permitted reading value is achieved.

**NOTICE**

**NOTICE:**

The specified permitted reading values are only valid at operating temperatures. For cold settings, other values are permitted. You

must use the correct alignment tolerance. Failure to do so can result in misalignment and reduced pump reliability.

## Perform parallel alignment for a horizontal correction

A unit is in parallel alignment when the parallel indicator (P) does not vary by more than 0.002 in. (0.05 mm) as measured at four points 90° apart at the operating temperature.

1. Set the parallel alignment indicator (P) to zero on the left side of the driver coupling half (Y), 90° from the top-center position (9 o'clock).
2. Rotate the indicator through the top-center position to the right side, 180° from the start position (3 o'clock).
3. Record the indicator reading.

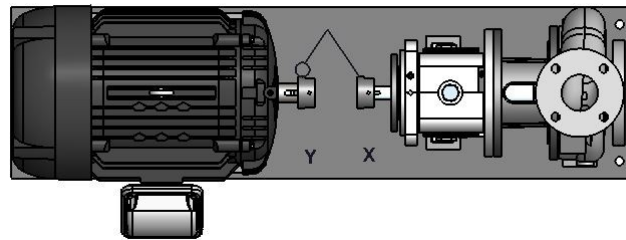
**Table 9: Parallel alignment for horizontal correction guidelines**

When the reading value is...	Then...
Negative	The driver coupling half (Y) is to the left of the pump
Positive	The driver coupling half (Y) is to the right of the pump

### NOTICE

negatively affect horizontal

**NOTICE:**  
Make sure to slide the driver evenly. Failure to do so can negatively affect horizontal angular correction.



**Figure 14: Top view of a correct horizontal alignment**

achieved

5. Repeat the previous steps until the permitted reading value is

### NOTICE

temperature. For correct alignment reduced pump

### NOTICE:

The specified permitted reading values are valid only at operating cold settings, other values are permitted. You must use the tolerances. Failure to do so can result in misalignment and reliability.

## Perform complete alignment for a vertical correction

(A) and the (mm) as measured at four points 90° apart at the top-center position

A unit is in complete alignment when both the angular indicator parallel indicator (P) do not vary by more than 0.002 in. (0.05 mm) as measured at four points 90° apart.

1. Set the angular and parallel dial indicators to zero at the top-center position (12 o'clock) of the driver coupling half (Y).
2. Rotate the indicators to the bottom-center position (6 o'clock).
3. Record the indicator readings.
4. Make corrections according to the separate instructions for parallel alignment until you obtain the permitted reading values.

angular and values.

## Perform complete alignment for a horizontal correction

(A) and the parallel indicator (P) do not vary by more than 0.002 in. (0.05 mm) as measured at four points 90° apart.

side of the driver coupling half (Y), 90° from the top-center position (9 o'clock).

right side, 180° from the start position (3 o'clock).

angular and values.

1. Set the angular and parallel dial indicators to zero at the left coupling half (Y), 90° from the top-center position (9 o'clock).
2. Rotate the indicators through the top-center position to the right side, 180° from the start position (3 o'clock).
3. Record the indicator readings.
4. Make corrections according to the separate instructions for angular and parallel alignment until you obtain the permitted reading values.

## Piping checklists

### General piping checklist

#### Precautions



#### CAUTION:

- Never draw piping into place by using force at the flanged connections of the pump. This can impose dangerous strains on the unit and cause misalignment between the pump and driver. Pipe strain adversely affects the operation of the pump, which results in physical injury and damage to the equipment.
- Vary the capacity with the regulating valve in the discharge line. Never throttle the flow from the suction side. This action can result in decreased performance, unexpected heat generation, and equipment damage.

### Piping guidelines

Guidelines for piping are given in the Hydraulic Institute Standards

#### Checklist

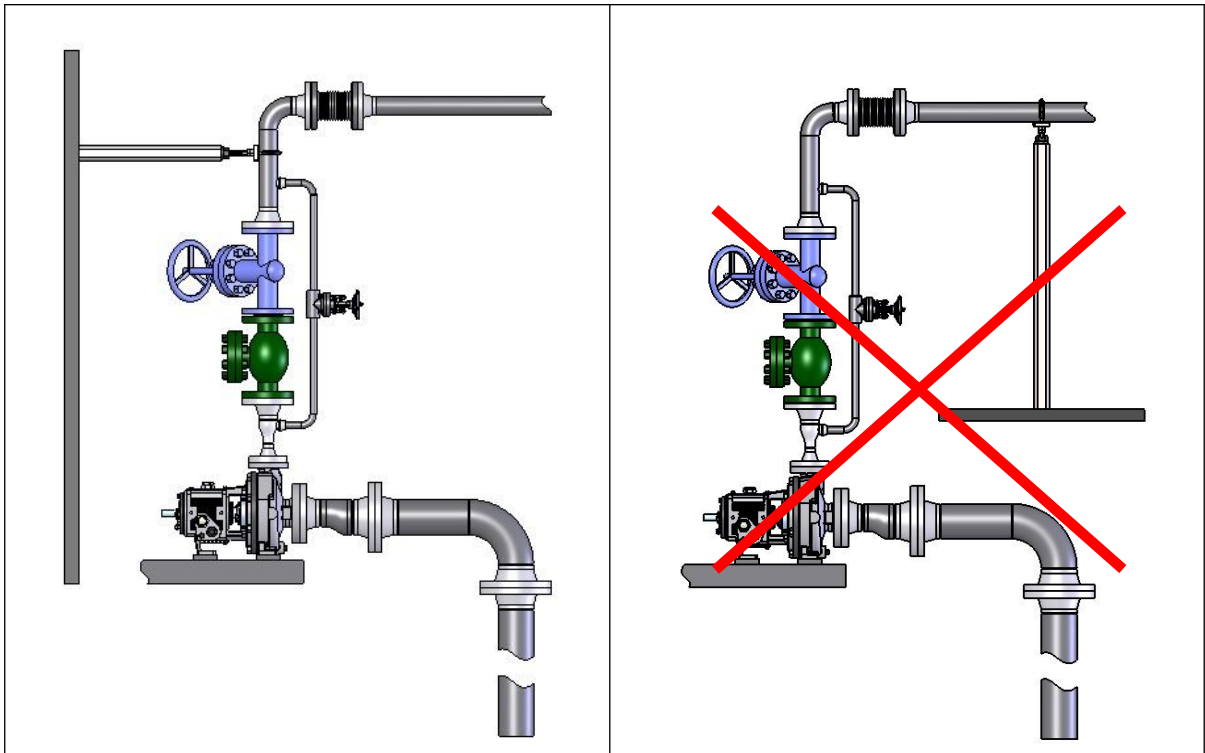
**Table 10: Piping guidelines**

Check	Explanation/comment	Checked
Check that all piping is supported independently of, and lined up naturally with, the pump flange.	This helps to prevent: <ul style="list-style-type: none"> <li>• Strain on the pump</li> <li>• Misalignment between the pump and the drive unit</li> <li>• Wear on the pump bearings and the coupling</li> <li>• Wear on the pump bearings, seal,</li> </ul>	
Keep the piping as short as possible.	This helps to minimize friction losses.	
Check that only necessary fittings are used.	This helps to minimize friction losses.	

Do not connect the piping to the pump until: <ul style="list-style-type: none"> <li>• The grout for the baseplate or sub-base becomes hard.</li> <li>• The hold-down bolts for the pump and the driver</li> </ul>	—	
Make sure that all the piping joints and fittings are airtight.	This prevents air from entering the piping system or leaks that	
If the pump handles corrosive fluids, make sure that the piping allows you to flush out the liquid		
If the pump handles liquids at elevated temperatures, make sure that the expansion loops	This helps to prevent misalignment due to linear expansion of the piping.	
Pump flange and piping flange face alignment and separation.	<ul style="list-style-type: none"> <li>• The pump and piping flange faces shall be parallel to a min. of .001 in./in. ( 10 micrometers/cm) of outer flange diameter.</li> <li>• Flange face separation, including single gasket spacing, shall be 1/16" (1.5 mm)</li> </ul>	

**Example: Installation for expansion**

<b>Correct</b>	<b>Incorrect</b>
----------------	------------------



## Fastening

### WARNING

#### **WARNING:**

- Only use fasteners of the proper size and material.
- Replace all corroded fasteners.
- Make sure that all fasteners are properly tightened and that there are no missing fasteners.

## Suction piping checklist

### Performance curve reference

Net positive suction head available ( $NPSH_A$ ) must always exceed  $NPSH_R$  or  $NPSH_3$  as shown on the published performance curve of the pump.

### Suction-piping checks

**Table 11: Suction piping guidelines**

Check	Explanation/comment	Checked
Check that the distance between the inlet flange of the pump and the closest bend is at least five pipe diameters.	This minimizes the risk of cavitation in the suction inlet of the pump due to turbulence. See the Example sections for	
Check that component or pipe diameter change in general do not have sharp bends.	See the Example sections for illustrations.	
Check that the suction piping is one or two sizes larger than the suction inlet of the pump. Install an eccentric reducer between the	The suction piping must never have a smaller diameter than the suction inlet of the pump. See the Example sections for illustrations.	
Check that the eccentric reducer at the suction flange of the pump has the following properties: • Sloping side	See the example illustrations.	
When suction strainers or suction bells are used, check that they are at least three times the area of the suction piping.	Suction strainers help to prevent clogging. Mesh holes with a minimum diameter of 1/16 in. (1.6 mm) are recommended.	
If more than one pump operates from the same liquid source, check that separate suction-	This recommendation helps you to achieve a higher pump performance.	
If necessary, make sure that the suction piping includes a drain valve and that it is correctly in-	—	

### Liquid source below the pump

**Table 12: Suction piping guidelines - Liquid source below pump**

Check	Explanation/comment	Checked
Make sure that the suction piping is free from air pockets.	This helps to prevent the occurrence of air and cavitation in the pump inlet.	
Check that the suction piping slopes upwards from the liquid source to the pump inlet.	This prevents air from accumulating in the suction piping.	
If the pump is not self-priming, check that a device for priming the pump is installed.	Use a foot valve with a diameter that is at least equivalent to the diameter of the suction piping. End user must accommodate for foot valve friction losses in priming	

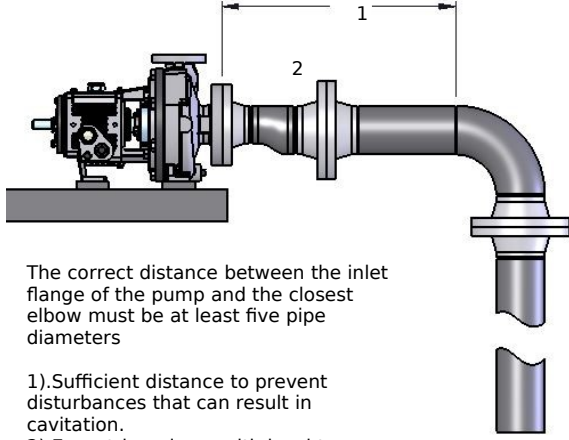
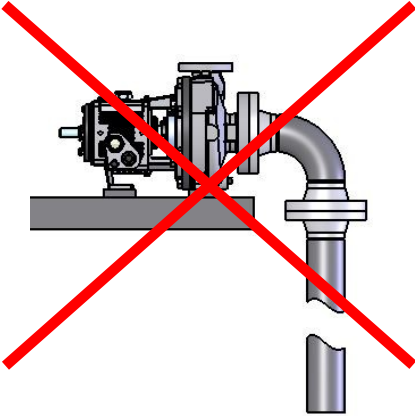
### Liquid source above the pump

**Table 13: Suction piping guidelines - Liquid source above pump**

Check	Explanation/comment	Checked
Check that an isolation valve is installed in the suction piping at a distance of at least two times the pipe diameter from the suction inlet.	This permits you to close the line during pump inspection and maintenance. Do not use the isolation valve to throttle the pump. Throttling can cause these problems: • Loss of priming • Excessive temperatures • Damage to the pump • Voiding the warranty	

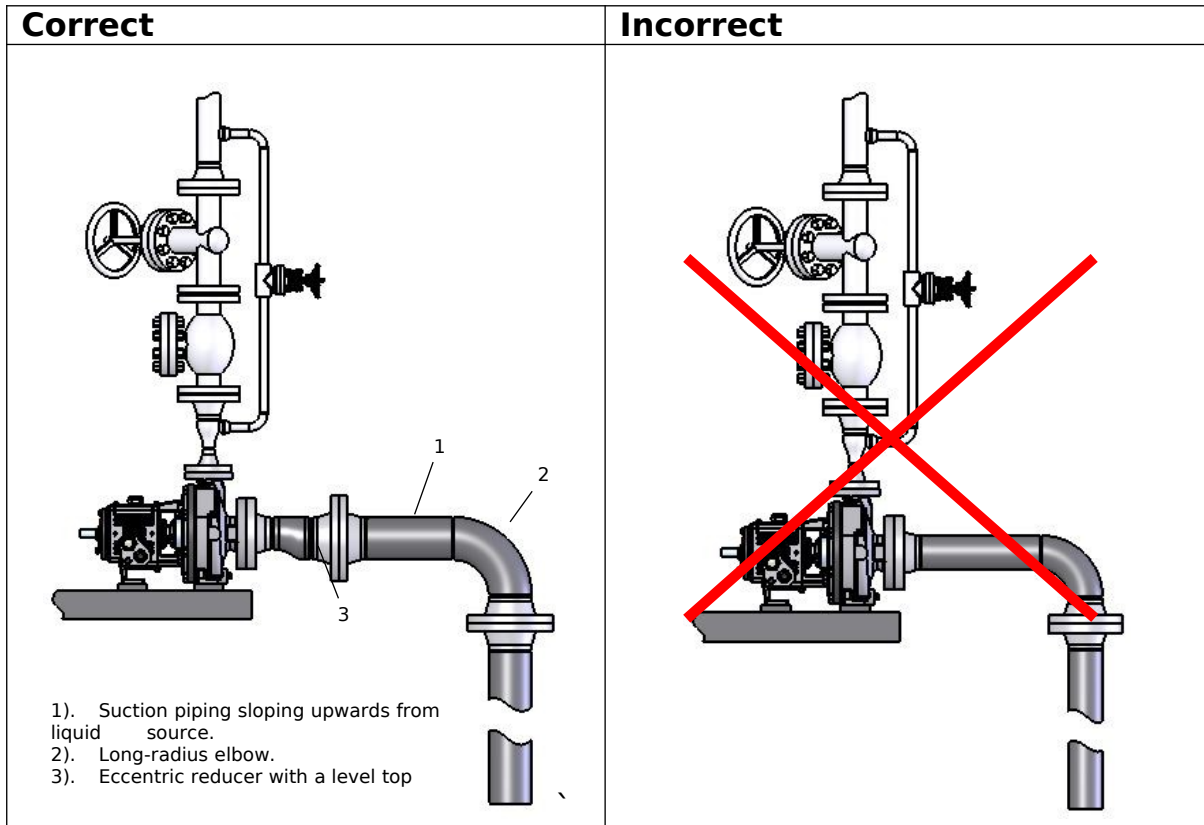
Make sure that the suction piping is free from vapor pockets.	This helps to prevent the occurrence of vapors and cavitation in the pump inlet.	
Check that the piping is level or slopes downward from the liquid source.	—	
Make sure that no part of the suction piping extends below the suction	—	
Make sure that the suction piping is adequately submerged	This prevents air from entering the pump through a suction vortex.	

**Example: Elbow close to the pump suction inlet**

Correct	Incorrect
 <p>The correct distance between the inlet flange of the pump and the closest elbow must be at least five pipe diameters</p> <ol style="list-style-type: none"> <li>1). Sufficient distance to prevent disturbances that can result in cavitation.</li> <li>2). Eccentric reducer with level top.</li> </ol>	



### Example: Suction piping below pump



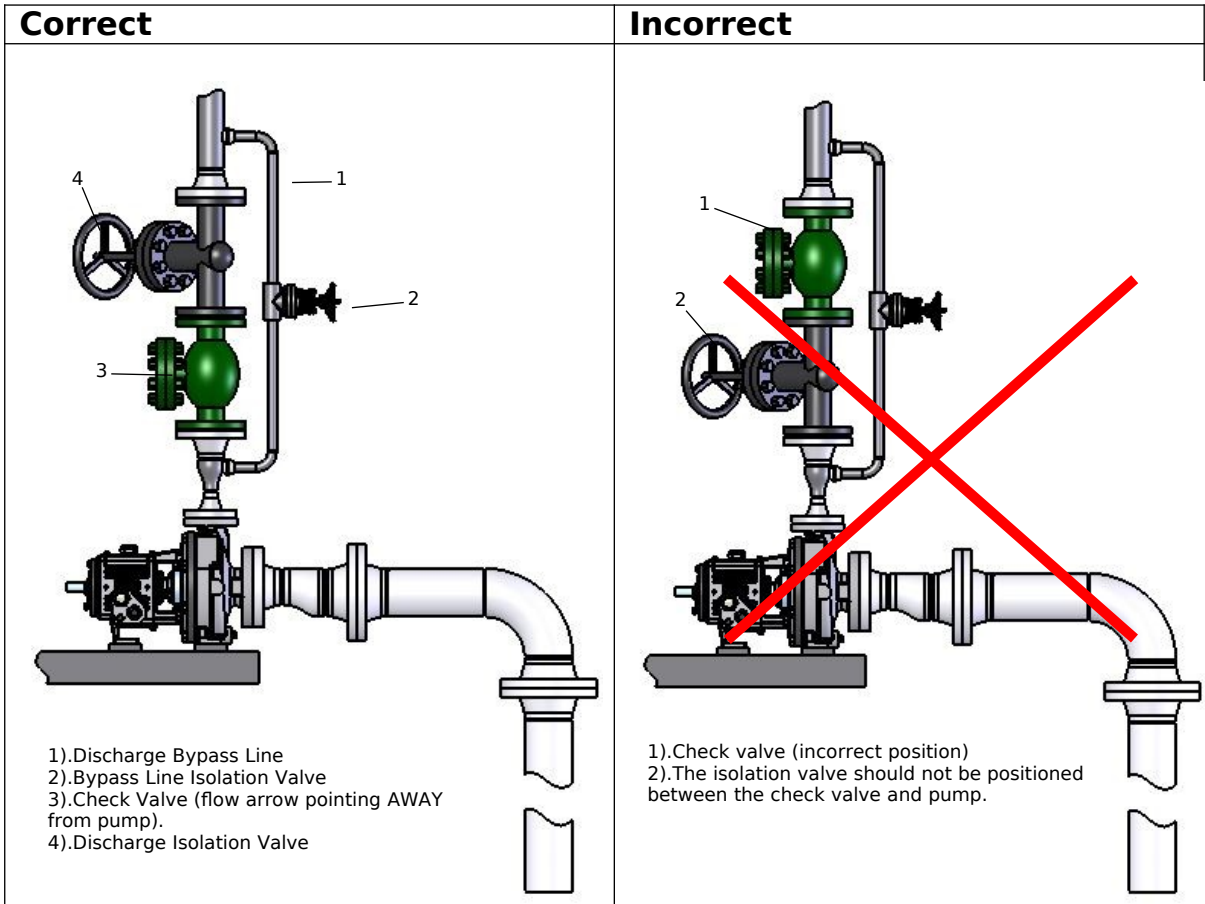
### Discharge piping checklist

**Table 14: Discharge piping guidelines**

Check	Explanation/comment	Checked
Check that an isolation valve is installed in the discharge line.	The isolation valve is required for: <ul style="list-style-type: none"> <li>• Priming</li> <li>• Regulation of flow</li> <li>• Inspection and maintenance of the pump</li> </ul> See Example: Discharge	
Check that a check valve is installed in the discharge line, between the isolation valve and the pump discharge outlet.	The location between the isolation valve and the pump allows inspection of the check valve. The check valve prevents damage to the pump and seal due to back flow through the pump when the drive unit is shut off. See Example: Discharge	
If increasers are used, check that they are installed between the pump and the	See Example: Discharge piping equipment for illustrations.	

If quick-closing valves are installed in the system, check that cushioning	This protects the pump from surges and water hammer.	
----------------------------------------------------------------------------	------------------------------------------------------	--

**Example: Discharge piping**



# **Commissioning, Startup, Operation, and Shutdown**

# Preparation for startup

## WARNING

### WARNING:

- Failure to follow these precautions before you start-up the pump could lead to serious injury and equipment failure.
- Do not operate the pump below the minimum rated flow or with the suction or discharge valves closed.
- Avoid death or serious injury. Leaking fluid can cause fire and/or burns. Operating the pump above maximum rated flow shown on the pump curve leading to an increase in horsepower and vibration along with mechanical seal and/or shaft failure.
- Never operate the pump without the coupling guard correctly installed.
- Always disconnect and lock out all potential energy sources (electrical, hydraulic, pneumatic, etc) before you perform any installation or maintenance tasks. Failure to disconnect and lock out driver power could result in serious physical injury.
- Operating the pump in reverse rotation will result in the contact of metal parts, heat generation, and breach of containment.

## Precautions

### NOTICE

### NOTICE:

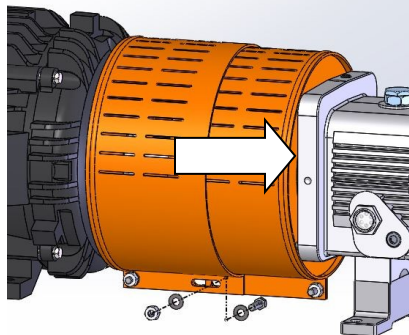
- Verify the driver settings before you start any pump.
- Make sure that the pump casing warm-up rate does not exceed 5°F (2.8°C) per minute.
- Risk of damage to the mechanical seal or shaft sleeve on units supplied with cartridge mechanical seals. Prior to startup, make sure to tighten the set screws in the seal locking collar and remove the centering clips.

You must follow these precautions before you start the pump:

- Flush and clean the system thoroughly prior to start-up to remove dirt or debris in the pipe system.
- If temperatures of the pumped fluid will exceed 200°F (93°C), then warm up the pump prior to operation. Circulate a small amount of fluid through the pump until the casing temperature is within 50°F (10°C) of the process fluid temperature. Soak for (2) hours at process fluid temperature.

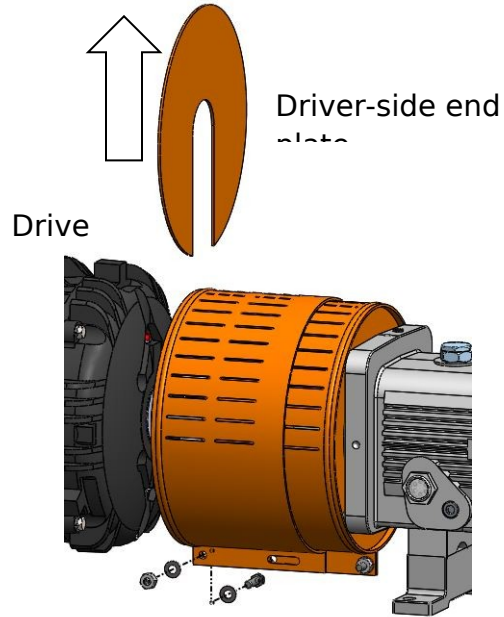
## Remove the coupling guard

1. Remove the nut, bolt, and washers from the slotted hole in the center of the coupling guard.
2. Slide the driver half of the coupling guard toward the pump.



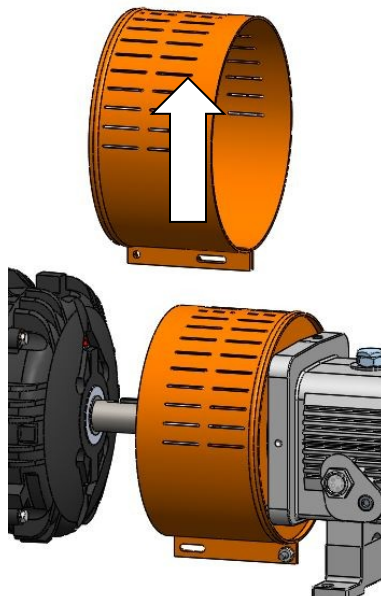
### Figure 1: Guard removal - slide driver half

3. Remove the nut, bolt, and washers from the driver half of the coupling guard.
4. Remove the driver-side end plate.



### Figure 2: Guard removal - driver side end plate

5. Remove the driver half of the coupling guard:
  - a) Slightly spread the bottom apart.
  - b) Lift upwards.



### Figure 3: Guard removal -driver half

6. Remove the remaining nut, bolt, and washers from the pump half of the coupling guard. It is not necessary to remove the end plate from the pump side of the bearing housing. You can access the bearing-housing tap bolts without removing this end plate if maintenance of internal pump parts is necessary.
7. Remove the pump half of the coupling guard:
  - a) Spread the bottom of the guard apart
  - b) Lift upwards

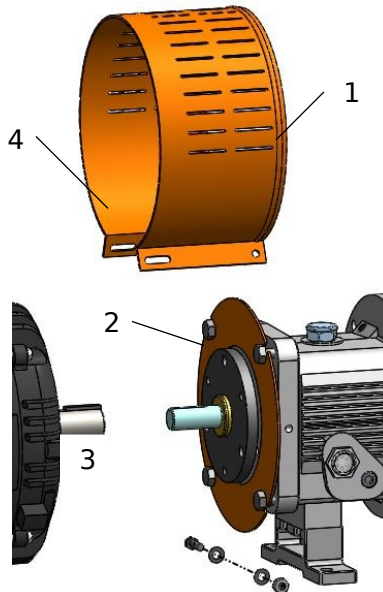


Figure 4: Guard removal - pump half

1. Annular groove
2. Pump-side end plate
3. Driver
4. Pump half of the coupling guard

## Check the rotation - Frame Mounted

### **WARNING**

#### **WARNING:**

- Operating the pump in reverse rotation will result in the contact of metal parts, heat generation, and breach of containment.
- Always disconnect and lock out all potential energy sources (electrical, hydraulic, pneumatic, etc) before you perform any installation or maintenance tasks. Failure to do so could result in serious physical injury.

1. Lock out power to all potential energy sources (electric, hydraulic, pneumatic, etc.).
2. Make sure that the coupling hubs are fastened securely to the shafts.
3. Make sure that the coupling spacer is removed.  
The pump ships with the coupling spacer removed.

4. Unlock power to the driver.
5. Make sure that everyone is clear, and then operate the driver long enough to determine that the direction of rotation corresponds to the arrow on the bearing housing or close coupled frame.

## Impeller-clearance check

The impeller-clearance check ensures the following:

- The pump turns freely.
- The pump operates at optimal efficiency for long equipment life.

## Impeller clearances (PWA)

### WARNING

**WARNING:**

For pumpage temperatures greater than 200°F (93°C), you must increase the cold (ambient) setting according to this table. Doing so prevents the impeller from contacting the casing due to differential expansion from the higher operating temperatures. Failure to do so may result in equipment damage.

**NOTICE:**

Do not set the maximum impeller setting to more than 0.005 in. (0.13 mm) greater than the values in this table. Doing so may result in a significant decrease in performance.

**Table 1: Impeller clearances**

Service temperature	Group 1	Group 2/3	Group 4
	in. (mm)	in. (mm)	
-20 to 200°F (-29 to 93°C)	0.005 (0.13)	0.008 (0.20)	0.015 (0.38)
Up to 250°F (121°C)	0.006 (0.15)	0.009 (0.22)	0.016 (0.41)
Up to 300°F (149°C)	0.007 (0.18)	0.010 (0.25)	0.017 (0.43)
Up to 350°F (177°C)	0.009 (0.22)	0.012 (0.30)	0.019 (0.48)
Up to 400°F (204°C)	0.010 (0.25)	0.013 (0.33)	0.020 (0.50)
Up to 450°F (232°C)	0.011 (0.28)	0.014 (0.35)	0.021 (0.53)
Up to 500°F (260°C)	0.012 (0.30)	0.015 (0.38)	0.022 (0.56)
Up to 550°F (288°C)	0.013 (0.33)	0.016 (0.41)	0.023 (0.58)
Up to 600°F (316°C)	0.014 (0.36)	0.017 (0.43)	0.024 (0.61)
Up to 650°F (343°C)	0.016 (0.40)	0.019 (0.48)	0.026 (0.66)
Up to 700°F (371°C)	0.017 (0.43)	0.020 (0.50)	0.027 (0.69)

## Impeller-clearance setting

### Importance of a proper impeller clearance

### WARNING

**WARNING:**

- The impeller clearance setting procedure must be followed. Improperly setting the clearance or not following any of the proper procedures can result in equipment damage.
- If you use a cartridge mechanical seal, you must install the centering clips and loosen the set screws before you set the impeller clearance. Failure to do so could result in mechanical seal damage.

### Impeller clearance methods

You can set the impeller clearance with either of these methods.

- Dial indicator method
- Feeler gauge method

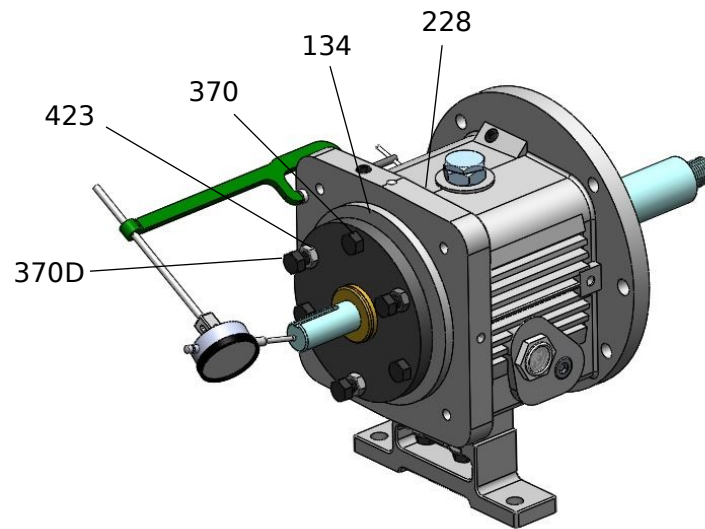
## Set the impeller clearance - dial indicator method

### **WARNING**

#### **WARNING:**

*Always disconnect and lock out all potential energy sources ( electric, hydraulic, pneumatic, etc) before you perform any installation or maintenance tasks. Failure to do so will result in serious physical injury.*

1. Remove the coupling guard.
2. Set the indicator so that the button contacts either the shaft end or the face of the coupling.



**Figure 5: Mounting Indicator**

3. Loosen the jam nuts (423) on the jack bolts (370D), and then back the bolts out about two turns.
4. Tighten the clamp bolts evenly (370C), bringing the bearing housing (134) towards the frame (228) until the impeller contacts the casing.
5. Turn the shaft in the direction of pump operation to ensure that there is slight contact between the impeller and the casing.
6. Set the indicator to zero and loosen the clamp bolt (370C) about one turn.
7. Thread in the jack bolts (370D) until the jack bolts evenly contact the bearing frame.
8. Tighten the jack bolts evenly about one flat at a time, moving the bearing housing (134) away from the bearing frame until the indicator shows the correct clearance. Refer to the impeller clearance table to determine the correct clearance.
9. Tighten the bolts evenly in this order:
  - a) Tighten the clamp bolts (370C).
  - b) Tighten the jack bolts (370D).



c) Tighten jam nut (423)

Make sure to keep the indicator reading at the proper setting.

10. Make sure the shaft turns freely.

## Set the impeller clearance - feeler gauge method

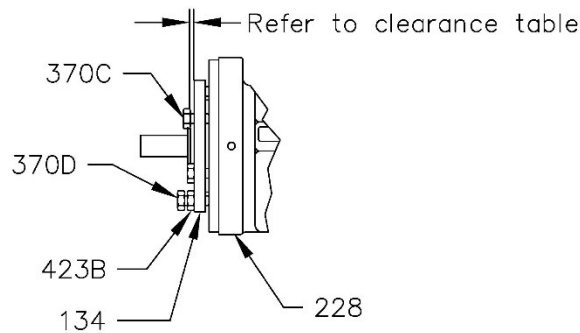
### **WARNING**

#### **WARNING:**

*Always disconnect and lock out all potential energy sources (electric, hydraulic, pneumatic, etc) before you perform any installation or maintenance tasks. Failure to disconnect to do so will result in serious physical injury.*

- Refer to driver/coupling/gear manufacturers installation and operation manuals (IOM) for specific instructions and recommendations.

1. Remove the coupling guard.
2. Loosen the jam nuts (423) on the jack bolts (370D), and then back the bolts out about two turns.



**Figure 6: Setting Impeller Clearance**

3. Evenly tighten the clamp bolts (370C), bringing the bearing housing (134) towards the frame (228) until the impeller contacts the casing.
4. Turn the shaft in direction of rotation to ensure that there is slight contact between the impeller and the casing.
5. Use a feeler gauge to set the gap between the three clamp bolts (370C) and the bearing housing (134) to the correct impeller clearance.  
Refer to the impeller clearance table to determine the correct clearance.
6. Use the three jack bolts (370D) to evenly move the bearing housing (134) until it contacts the clamp bolts (370C).
7. Evenly tighten the jam nuts (423).
8. Make sure the shaft turns freely.

## Couple the pump and driver

**⚠ WARNING**

sources

installation  
physical injury.

**WARNING:**

Always disconnect and lock out power to all potential energy

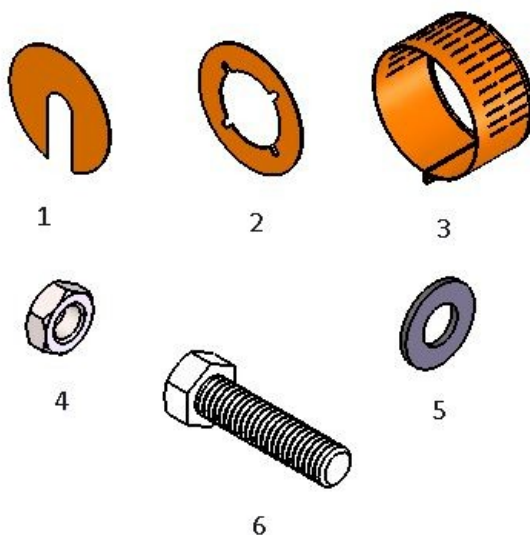
(electric, hydraulic, pneumatic, etc.) before you perform any maintenance tasks. Failure to do so will result in serious

## Install the coupling guard

**⚠ WARNING**

**WARNING:**

- Never operate a pump without a properly installed coupling guard. Personal injury will occur if you run the pump without a coupling guard.
- Refer to driver/coupling/gear manufacturers IOM for specific instructions and recommendations.
- Always disconnect and lock out power to all potential energy sources (electric, hydraulic, pneumatic, etc.) before you perform any installation or maintenance tasks. Failure to disconnect and lock out driver power will result in serious physical injury.



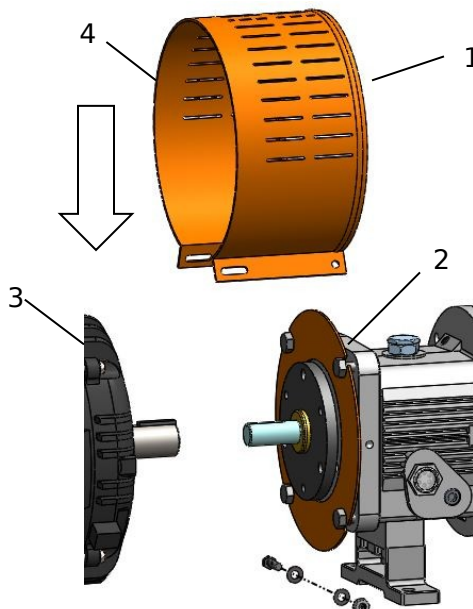
**Figure 7: Required guard parts**

1. End plate, drive end
  2. End plate, pump end
  3. Guard half, 2 required
  4. 3/8-16 nut, 3 required
  5. 3/8 in. washer, 6 required
  6. 3/8-16 x 2 in. hex head bolt, 3 required
1. Follow appropriate lock out/tag out procedures: De-energize the motor, place the motor in a locked-out position, and place a caution tag at the starter that indicates the disconnect.
  2. Put the pump-side end plate in place.  
If the pump-side end plate is already in place, make any necessary coupling adjustments and then proceed to the next step.

**Table 2: Group - Guard Installation guidelines**

If the pump size	Then...
Group 1, 2, 3	Align the pump-side end plate to the bearing frame. You do not need to adjust the impeller.
Group 4	<ol style="list-style-type: none"> <li>1. Align the end plate on the pump side to the bearing housing so that you meet these conditions:               <ol style="list-style-type: none"> <li>1. The large slots on the end plate do not touch the bearing housing tap bolts.</li> <li>2. The small slots align with the impeller adjusting bolts.</li> </ol> </li> <li>2. Fasten the end plate to the bearing housing using the jam nuts on the impeller adjusting</li> </ol>

3. Put the pump-half of the coupling guard in place:
  - a) Slightly spread the bottom apart.
  - b) Place the coupling guard half over the pump-side end plate.

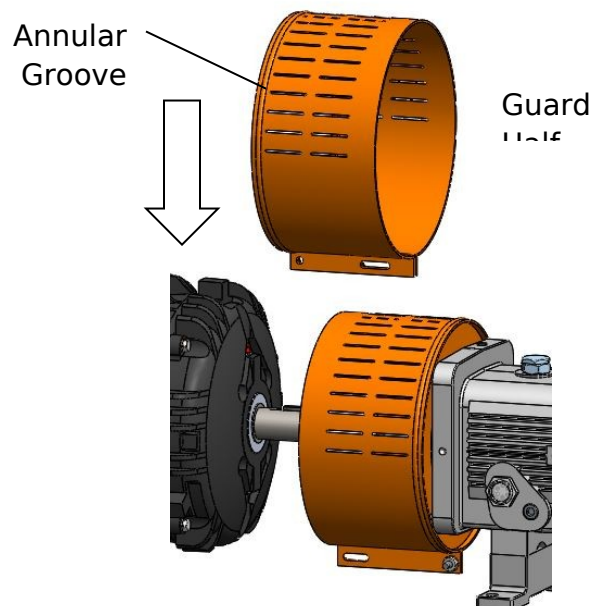


### Figure 8: Guard install - slide pump half

1. Annular groove
2. Pump-side end plate
3. Driver
4. Pump half of the coupling guard

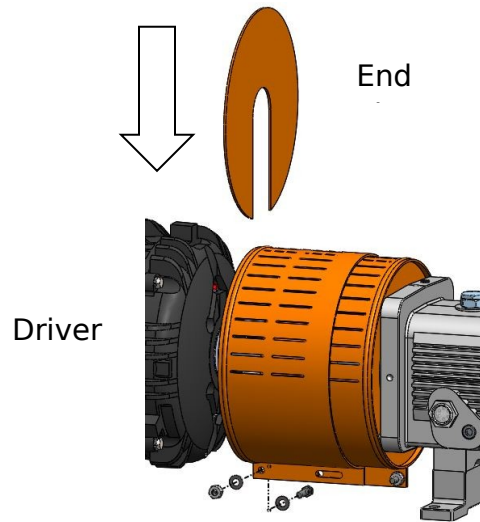
The annular groove in the coupling guard half must fit around the end plate.

4. Use a bolt, a nut, and two washers to secure the coupling guard half to the end plate. Tighten securely.
5. Put the driver half of the coupling guard in place.
  - a) Slightly spread the bottom apart.
  - b) Place the driver half of the coupling guard over the pump half of the coupling guard. The annular groove in the coupling guard half must face the motor.



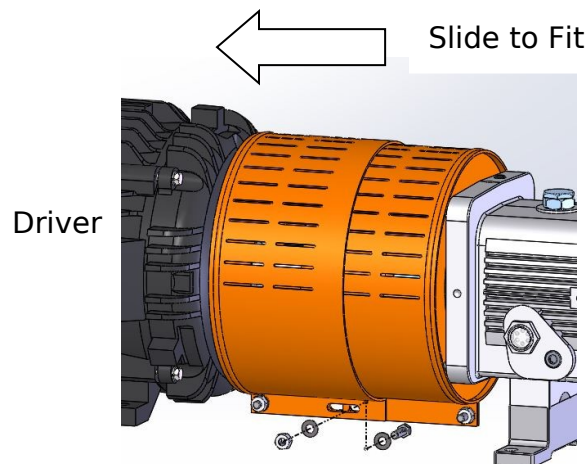
**Figure 9: Guard install - slide motor half**

6. Place the driver-side end plate over the motor shaft.



**Figure 10: Guard install - slide end plate**

7. Place the driver-side end plate in the annular groove of the driver-half of the coupling guard.
8. Use a bolt, a nut, and two washers to secure the coupling guard half to the end plate. Hand-tighten only. The hole is located on the driver-side of the coupling guard half.
9. Slide the driver-half of the coupling guard towards the motor so that the coupling guard completely covers the shafts and coupling.



## Figure 11: Guard Install - slide motor half to fit

10. Use a nut, a bolt, and two washers to secure the coupling guard halves together.
11. Tighten all nuts on the guard assembly.

## Bearing Lubrication

### **WARNING**

#### **WARNING:**

Make sure to properly lubricate the bearings. Failure to do so can result in premature failure.

**The PW-IND Model PWA bearings are lubricated by an OIL FLINGER. Oil Level must be maintained at the center of the power end sight glass.**

### **NOTICE**

#### **NOTE:**

**Pumps are shipped without oil. You must lubricate oil-lubricated bearings at the time of start-up**

## Lubricating Oil Fill Capacities

Table 3: Lubrication capacity requirements

Frame	Qts.	Oz.	ml
Group 1	0.5	14.5	429
Group 2	1.0	30	887
Group 3	0.75	24	710
Group 4	2.6	84	2478

## Lubricating-oil requirements

### Oil requirements based on temperature

Table 4: Oil requirements based on temperature

Temperature	Oil requirement
Pumped Fluid Temperatures below 350°F	Use ISO VG 68
Pumped-fluid temperatures exceed 350°F (177°C)	Use synthetic lubrication ISO VG 100. Use PWA Water Cooling Coil

## Acceptable oil for lubricating bearings

### Acceptable lubricants

Table 5:

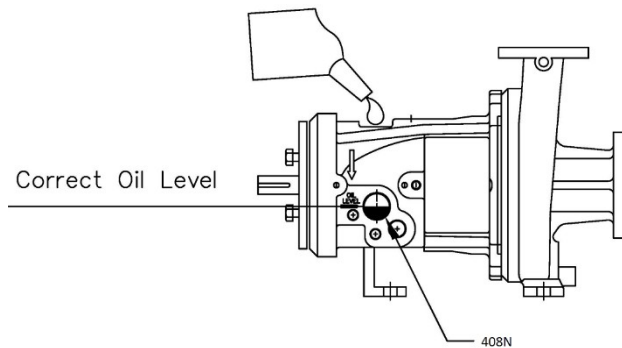
**Examples of acceptable high quality turbine oils with rust and oxidation inhibitors.**

Brand	Lubricant type
Chevron	GTS Oil 68
Exxon	Teresstic EP 68
Mobil	DTE 26 300 SSU @ 100°F (38°C)
Philips	Mangus Oil 315

Shell	Tellus Turbo T 68 or Tellus S2 MX 68
Sunoco	Sunvis 968
Royal Purple	SYNFILM ISO VG 68 Synthetic Lube

## Lubricate the bearings with oil

1. Remove the vent cap .
2. Fill the bearing frame with oil through the vent / filler connection, which is located on top of the bearing frame.  
Fill the bearing frame with oil until the oil level reaches the middle of the sight glass (319).



**Figure 12: Power End - lube fill**

3. Replace the fill plug.

## Lubricate the bearings with pure oil mist

Oil mist is an optional feature for this pump.

To lubricate bearings with pure oil mist, follow the instructions provided by the manufacturer of the oil-mist generator.

The inlet connections are on the top of the bearing frame

## Pump priming



**WARNING**

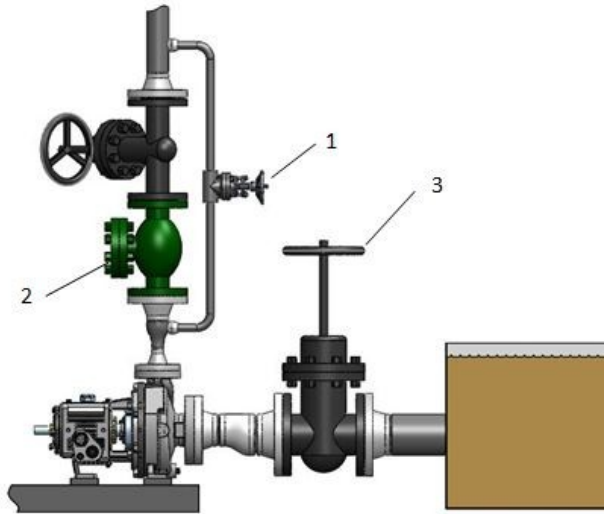
**WARNING:**

*Make sure to review MSDS regarding hazards for the pump process fluid. Personal Protective Equipment (PPE) should be worn during all activities around pump.*

## Prime the pump with the suction supply above the pump

all gas is

1. Slowly open the suction isolation valve.
2. Open the piping vents on the suction and discharge piping until evacuated.
3. Close the piping vents.



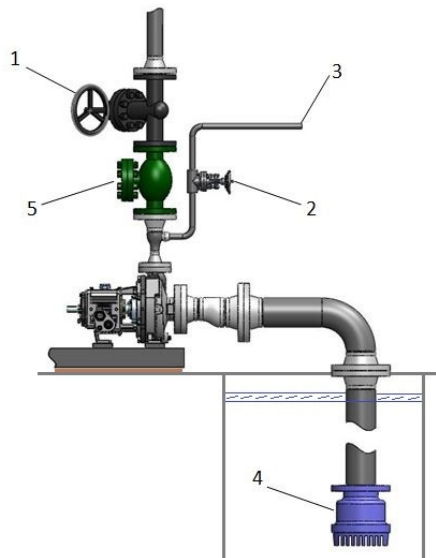
1. Discharge isolation valve
2. Check valve
3. Suction isolation valve

**Figure 13: Pump Priming - supply above pump**

## Prime the pump with the suction supply below the pump

Use a foot valve and an outside source of liquid in order to prime the pump. The liquid can come from one of these sources:

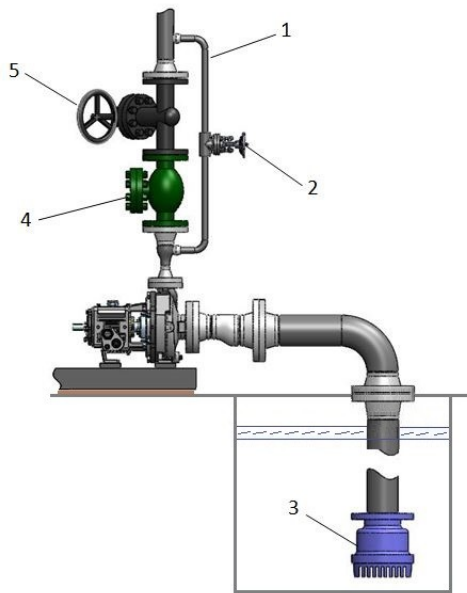
- A priming pump
  - A pressurized discharge line
  - Another outside supply
1. Close the discharge isolation valve.
  2. Open the vent valves in the casing.
  3. Open the valve in the outside supply line until only liquid escapes from the vent valves.
  4. Close the vent valves.
  5. Close the outside supply line.





1. Discharge isolation valve
2. Priming shutoff valve
3. External priming fluid
4. Foot valve
5. Check valve

**Figure 14: Pump Priming with foot valve and outside supply**



1. Priming by-pass line
2. Priming shutoff valve
3. Foot valve
4. Check valve
5. Discharge isolation valve

**Figure 15: Pump Priming with foot valve and bypass**

## Start the pump

### **⚠ WARNING**

#### **WARNING:**

Immediately observe the pressure gauges. If discharge pressure is not quickly attained, stop the driver immediately, reprime, and attempt to restart the pump.

### **⚠ CAUTION**

#### **CAUTION:**

- Observe the pump vibration levels, bearing temperature, and excessive noise. If normal levels are exceeded, shut down the pump and resolve the issue.
- On pure or purge-oil mist-lubricated units, remove the power end vent plug to verify that oil mist flowing properly. Replace the plug.
- Ensure that the oil level is correct prior to starting pump.

Before you start the pump, you must perform these tasks:

- Open the suction valve.
  - Open any recirculation or cooling lines.
1. Partially open the discharge valve, depending on system conditions.
  2. Start the driver.
  3. Slowly open the discharge valve until the pump reaches the desired flow.
  4. Immediately check the pressure gauge to ensure that the pump quickly reaches the correct discharge pressure.
  5. If the pump fails to reach the correct pressure, perform these steps:
    - a) Stop the driver.
    - b) Prime the pump again.
    - c) Restart the driver.
  6. Monitor the pump while it is operating:
    - a) Check the pump for bearing temperature, excessive vibration, and noise.
    - b) If the pump exceeds normal levels, then shut down the pump immediately and correct the problem.
  7. Repeat steps 5 and 6 until the pump runs properly.

## Pump operation precautions

### General considerations



**CAUTION**

**CAUTION:**

- *Vary the capacity with the regulating valve in the discharge line. Never throttle the flow from the suction side since this can result in decreased performance, unexpected heat generation, and equipment damage.*
- *Do not operate pump past the maximum flow. For maximum flow refer to the pump performance curve.*
- *Do not overload the driver. Driver overload can result in unexpected heat generation and equipment damage. The driver can overload in these circumstance.*
  - *The specific gravity of the pumped fluid is greater than expected.*
  - *The pumped fluid exceeds the rated flow rate.*
- *Do not operate pump below minimum flow. For minimum flows refer to technical manual and pump performance curve.*
- *Make sure to operate the pump at or near the rated conditions. Failure to do so can result in pump damage from cavitation or recirculation.*

### Operation at reduced capacity



**WARNING**

**WARNING:**

*Never operate any pumping system with a blocked suction and discharge. Operation, even for a brief period under these conditions, can cause confined pumped fluid to overheat, which could result in a explosion. You must take all necessary measures to avoid this condition.*



**CAUTION**

**CAUTION:**

- *The pump and system must be free of foreign objects. If pump becomes plugged, shut down and unplug prior to restarting pump.*
- *Avoid excessive vibration levels. Excessive vibration levels can damage the bearings, stuffing box or seal chamber, and the*

- mechanical seal, which can result in decreased performance.*
- *Avoid increased radial load. Failure to do so can cause stress on the shaft and bearings.*
  - *Avoid heat build-up. Failure to do so can cause rotating parts to score or seize.*
  - *Avoid cavitation. Failure to do so can cause damage to the internal surfaces of the pump.*

## **Shut down the pump**

1. Disengage driver.
2. Allow pump to coast down.
3. Close discharge valve.

# Maintenance

**Maintenance schedule**

It is recommended that a maintenance plan and schedule is adopted, in line with these Instructions, to include the following:

Any auxiliary systems installed must be monitored, if necessary, to ensure they function correctly.

- Gland packing must be adjusted correctly to give visible leakage and concentric alignment of the gland follower to prevent excessive temperature of the packing or follower.
- Check for any leaks from gaskets and seals. The correct functioning of the shaft seal must be checked regularly.
- Check bearing lubricant level, and if the hours run show a lubricant change is required.
- Check that the duty condition is in the allowable operating range for the pump.
- Check vibration, noise level and surface temperature at the bearings to confirm satisfactory operation.
- Check dirt and dust is removed from areas around close clearances, bearing housings and motors.
- Check coupling alignment and re-align if necessary.

Our field service technicians can help with preventative maintenance records and provide condition monitoring for temperature and vibration to identify the onset of potential problems.

### **Routine inspection (daily/weekly)**

The following checks should be made and the appropriate action taken to remedy any deviations:

- Check operating behavior. Ensure noise, vibration and bearing temperatures are normal.
- Check that there are no abnormal fluid or lubricant leaks (static and dynamic seals) and that any sealant systems (if fitted) are full and operating normally.
- Check the level and condition of oil lubricant. On grease lubricated pumps, check running hours since last recharge of grease or complete grease change.
- Check any auxiliary systems are functioning correctly.
- Refer to the manuals of any associated equipment for routine checks needed.

### **Periodic inspection (six month)**

- Check foundation bolts for security of attachment and corrosion.
- Check pump running records for total operating hours since last service to determine if bearing lubricant requires changing.
- Check the coupling for correct alignment and worn driving elements.
- Refer to the manuals of any associated equipment for periodic checks needed.

## **Bearing maintenance**

These bearing lubrication sections list different temperatures of the pumped fluid.

**Table 1: Oil Change Schedule**

Type of bearing	First lubrication	Lubrication intervals
-----------------	-------------------	-----------------------

Oil-lubricated bearings	Add oil before you install and start the pump. <b>Change the oil after</b>	After the first 400 hours, change the oil every 2000 operating hours or every three
Grease-lubricated bearings	Grease-lubricated bearings are initially lubricated at the factory.	Re-grease bearings every 2000 operating hours or every three months.

## Lubricating-oil requirements

### Lubricating Oil Fill Capacities

**Table 2: Required amount of oil for oil-lubricated bearings.**

Frame	Qts.	Oz.	ml
Group 1	0.5	14.5	429
Group 2	1.0	30	887
Group 3	0.75	24	710
Group 4	2.6	84	2478

### Lubricating-oil requirements

**Table 3: Oil requirements based on temperature**

Temperature	Oil requirement
Pumped fluid temperatures below 350° F	Use ISO VG 68
Pumped fluid temperatures exceed 350° F	Use synthetic lubrication ISO VG 100. Use water cooling coil

## Acceptable oil for lubricating bearings

### Acceptable lubricants

**Table 4:**

**Examples of acceptable high quality turbine oils with rust and oxidation inhibitors**

Brand	Lubricant type
Chevron	GTS Oil 68
Exxon	Teresstic EP 68
Mobil	DTE 26 300 SSU @ 100°F (38°C)
Philips	Mangus Oil 315
Shell	Tellus Turbo T 68 or Tellus S2 MX 68
Sunoco	Sunvis 968
Royal Purple	SYNFILM ISO VG 68 Synthetic Lube

## Shaft seal maintenance

### Mechanical-seal maintenance



**CAUTION:**

*Never operate the pump without liquid supplied to mechanical seal. Lack of seal flush can cause seal damage and catastrophic failure.*

### Cartridge mechanical seals

Cartridge mechanical seals are commonly used. Cartridge seals are

preset by the seal manufacturer and require no field settings. Cartridge seals installed by the user require removal of the holding clips and engagement of the set screws prior to operation. If the seal has been installed in the pump by PW-IND, these clips have already been removed.

### **Other mechanical seal types**

For other types of mechanical seals, refer to the instructions provided by the seal manufacturer for installation and setting.

### **Before you start the pump**

Check the seal and all flush piping.

## **Disassembly**

### **Disassembly precautions**

#### **⚠ WARNING**

#### **WARNING:**

- *This manual clearly identifies accepted methods for disassembling units. These methods must be followed to ensure safe maintenance of the pump. Trapped liquid can rapidly expand and result in a violent explosion and injury. Never apply heat to impellers or other pump components to aid in their removal unless explicitly stated in this manual.*
- *Always disconnect and lock out power to all potential energy sources (electric, hydraulic, pneumatic, etc.) before you perform any installation or maintenance tasks. Failure to do so will result in serious physical injury.*
- *Refer to driver/coupling/gear manufacturers installation and operation manuals (IOM) for specific instructions and recommendations.*
- *The pump can handle hazardous and toxic fluids. Identify the contents of the pump and observe proper decontamination procedures in order to eliminate the possible exposure to any hazardous or toxic fluids. Wear the proper personal protective equipment. Potential hazards include, but are not limited to, high temperature, flammable, acidic, caustic, explosive, and other risks.*
- *A small amount of liquid will be present in the seal chamber and casing. Take proper precautions to avoid contact with hazardous fluids.*

#### **NOTICE**

#### **NOTICE:**

- *Avoid injury. Worn pump components can have sharp edges. Wear appropriate gloves while handling these parts.*

### **Tools required**

Bearing puller  
Brass drift punch  
Cleaning agents and solvents  
Dial indicators  
Feeler gauges  
Hex wrenches  
Hydraulic press  
Induction heater  
Leveling blocks and shims  
Lifting sling  
Micrometer  
Rubber mallet

Screwdriver  
Shaft wrench  
Snap-ring pliers  
Torque wrench with sockets  
Wrenches

## Drain the pump

### CAUTION

#### CAUTION:

- Allow all system and pump components to cool before you handle them to prevent physical injury.

1. Close the isolation valves on the suction and discharge sides of the pump.

You must drain the system if no valves are installed. Always disconnect and lock out all potential energy sources (electrical, hydraulic, pneumatic, etc) before you perform any installation or maintenance tasks.

2. Drain the pump.

Do not proceed until liquid stops coming out of the drain valve.

3. Leave the drain valve open and remove the drain plug located on the bottom of the pump housing (if supplied).

Do not reinstall the plug or close the drain valve until the reassembly is complete.

4. Drain the liquid from the piping and flush the pump if it is necessary.
5. Disconnect all auxiliary piping and tubing.
6. Remove the coupling guard.

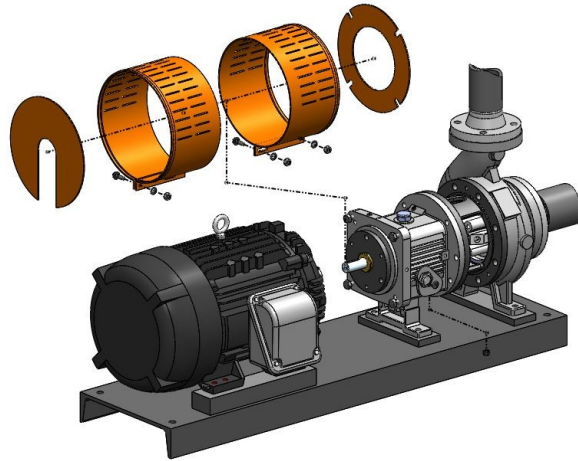
## Remove the coupling

1. Disconnect the coupling.
2. Remove the coupling guard and motor end plate.
3. Remove the coupling-guard pump end-plate.

## Remove the back pull-out assembly

1. Is your bearing frame oil lubricated?
  - If No: Proceed to step 2
  - If Yes:
    1. Remove the bearing-frame drain plug (408A) in order to drain oil from the bearing frame.
    2. Replace the plug after the oil is drained.
    3. Remove the constant level oiler, if equipped.



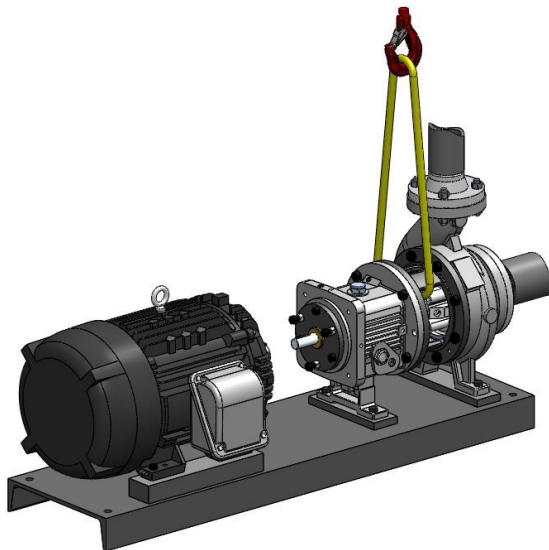


**Figure 1: Guard removal**

**NOTICE**

**NOTICE:**

*Pump oil can be used as part of a predictive / preventive maintenance program. Save oil in a clean container for further review.*



**Figure 2: Back pull-out removal**

2. Remove the hold-down bolts of the bearing frame foot.
3. Remove the casing bolts.

**WARNING**

**WARNING:**

- *Never use heat to disassemble the pump due to the risk of an explosion from trapped liquid.*
4. Tighten the casing jack bolts evenly, using an alternating pattern, in order to remove the back pull-out assembly.

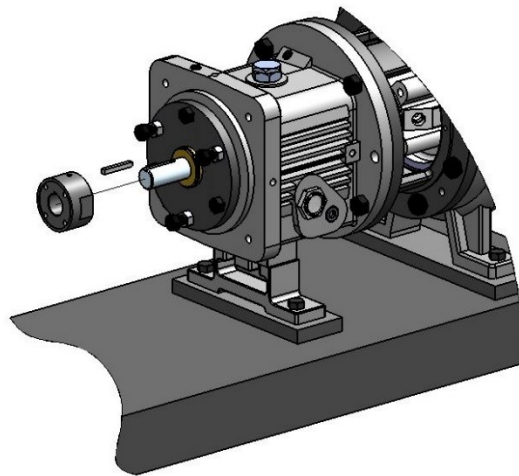
- Use penetrating oil if the adapter to the casing joint is corroded.
5. Remove the back pull-out assembly from the casing (100).
  6. Mark and remove the shims from under the frame foot and save them for reassembly. Reusing the shims assumes that the same motor frame and frame foot are being installed, and that there has been no change in piping and/or foundation.
  7. Remove and discard the casing gasket.  
Do not ever re-use the casing gasket.
  8. Remove the jackscrews.
  9. Clean all gasket surfaces.

## Remove the coupling hub

1. Clamp the frame adapter securely to the workbench.
2. Remove the coupling hub.  
Mark the shaft for relocation of the coupling hub during

reassembly.

Reusing the coupling hub assumes that the same motor frame, RPM, and horsepower are being installed, and that there has been no change in pump operating conditions.



**Figure 3: Coupling hub removal**

## Impeller removal

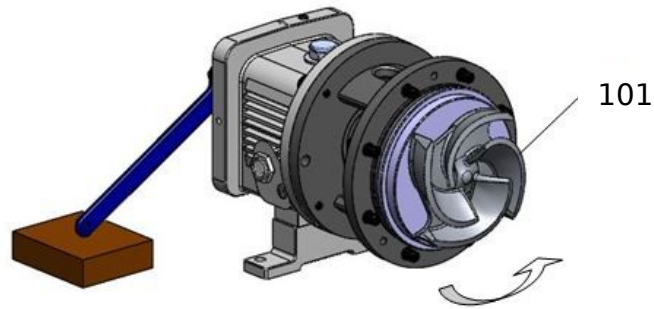
### Remove the impeller (Group 1, 2, and 3)

**⚠ WARNING**

**WARNING:**

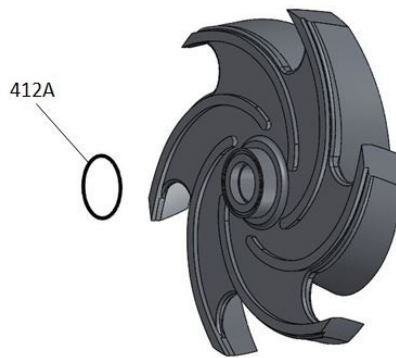
*Never apply heat to remove an impeller. The use of heat may cause an explosion due to trapped liquid, resulting in severe physical injury and property damage.*

1. Slide the shaft wrench over the shaft (122) and key.
2. Rotate the impeller (101) clockwise (viewed from the impeller end of the shaft) and raise the wrench off of the work surface.
3. To loosen the impeller, quickly turn it counter-clockwise (viewed from the impeller end of the shaft) while impacting the wrench handle on the workbench or a solid block.



**Figure 4: Impeller removal**

4. Repeat step 3 until the impeller is loose.
5. Remove and discard the impeller O-ring (412A). Do not ever re-use the impeller O-ring.



**Figure 5: O-ring for models PWA, PWA-LP, PWA-SP**

### Remove the impeller (Group 4)

**WARNING**

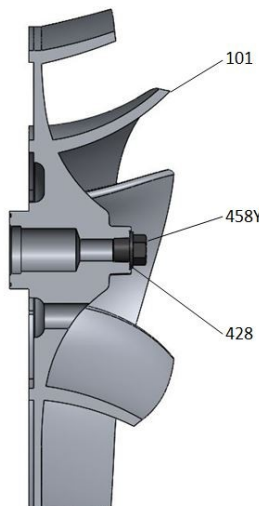
**WARNING:** Never apply heat to remove an impeller. The use of heat may cause an explosion due to trapped liquid, resulting in severe physical injury and property damage.

**CAUTION**

**CAUTION:** Wear heavy work gloves. Sharp edges can cause physical injury.

Clamp the frame for the method to remove the impeller.

1. Remove the impeller (101) and discard



handle impellers. The sharp edges can cause physical injury when you use this method to remove the front of the impeller.

### Figure 6: Impeller plug removal

2. Spray penetrating oil through the plug hole into the cavity at the end of the shaft and let it penetrate for 15 minutes.
  3. While waiting, rotate the shaft several times to distribute the oil.
  4. Slide the shaft wrench over the shaft (122) and key.
  5. Rotate the impeller clockwise (viewed from the impeller end of the shaft) and raise the wrench off of the work surface.
  6. To loosen the impeller, quickly turn the impeller counter-clockwise (viewed from the impeller end of the shaft) while impacting the wrench handle on the workbench or a solid block.
  7. Repeat step 6 until the impeller becomes loose.
  8. If step 6 and 7 do not work then do this:
    - a) Place a socket wrench over the cast nut on the impeller hub.
    - b) Turn the impeller counter-clockwise (viewed from the impeller end of the shaft).
- Be sure that the impeller wrench rests on the workbench or a solid block and that the power end is secure on the work surface.
9. Remove and discard the impeller O-ring (412A).  
Do not ever re-use the impeller O-ring.

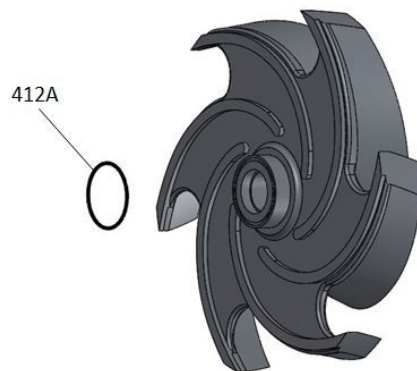
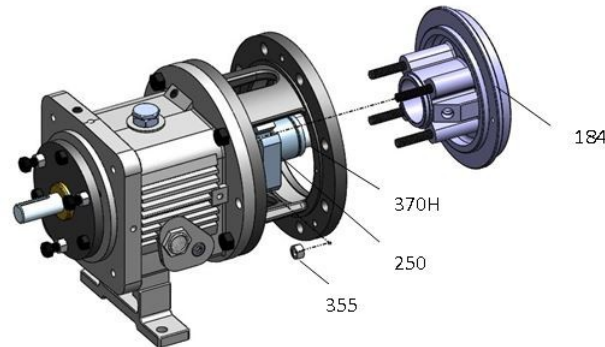


Figure 7: O-ring for models PWA, PWA-LP, PWA-SP

## Remove the stuffing box cover (seal chamber) (PWA, PWA-LF, PWA-SP)

1. Remove the gland stud nuts (355).
2. Remove the casing cover stud nuts (370H).
3. Remove the casing cover (184).



**Figure 8: Seal chamber removal**

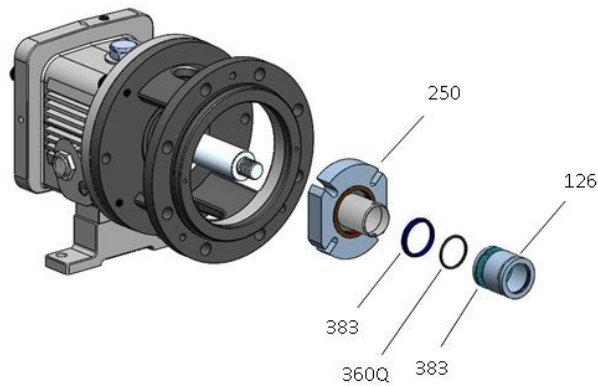
4. Remove the shaft sleeve (126) if it is used.  
The mechanical seal is attached to the sleeve.

### NOTICE

#### **NOTICE:**

*Be careful with the stationary portion of the mechanical seal that is either clamped between the backplate and the gland or seated in the stuffing box / seal chamber bore. Failure to do so may result in equipment damage.*

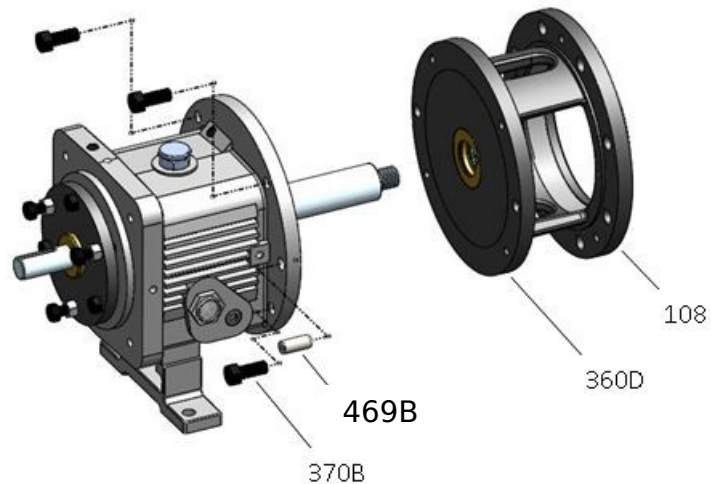
5. Remove the rotary portion of the seal from the sleeve by loosening the set screws and sliding it off the sleeve. Refer to the mechanical-seal instructions for more information.
6. Remove the gland (250), the stationary portion of the seal, and the O-ring (360Q).



**Figure 9: Mechanical seal removal**

### Remove the frame adapter (Group 2,3,4)

1. Remove the frame adapter (108).
2. Remove and discard the o-ring (360D).  
You will install a new o-ring during reassembly.
3. Remove the dowel pins (469B) and the bolts (370B).



**Figure 10: Adapter removal**

### Remove the inboard labyrinth oil seal

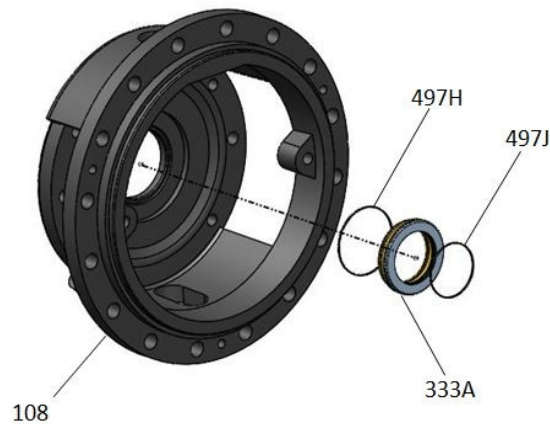
Labyrinth oil-seal O-rings are part of the PWA maintenance kits, and they are sold separately.

1. Determine the fit of your labyrinth oil seal.

**Table 5: Labyrinth oil-seal fit**

Model	Type of fit
Group 1	O-ring fit into the bearing-frame

- Remove the O-rings (497H and 497J) and the seal (333A).



**Figure 11: Labyrinth seal removal**

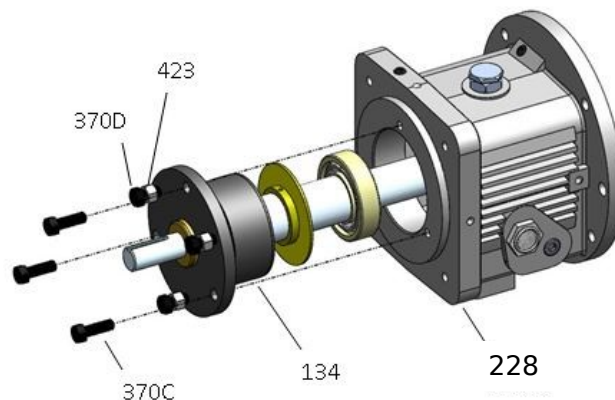
## Power-end disassembly

### General Considerations

- To limit the potential for shaft damage, remove ball bearings by applying force to the INNER race.
- Regardless of removal technique, ball bearings are NOT reusable after they are removed. Always use new bearings.
- If bearings are suspected as a cause of failure, retain them for further inspection. Detailed bearing inspection can be a valuable tool in failure analysis.
- Avoid removal of Oil Flinger (248) unless it is damaged.

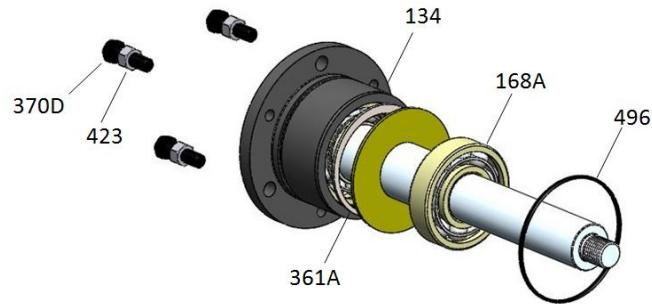
### Disassemble the power end (Group 1 & 2)

- Remove the clamp screws (370C) and back off the jam nuts (423).
- Tighten the jack screws (370D) evenly to move the bearing housing (134) out of the bearing frame (228).
- Remove the shaft assembly from the bearing frame (228).



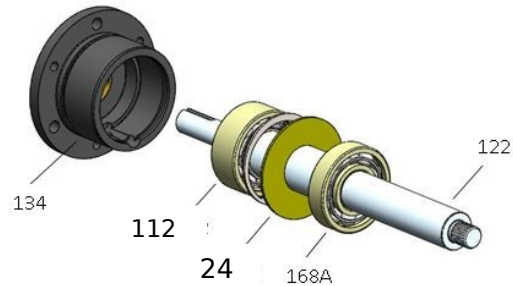
### Figure 12: Shaft assembly removal

4. Remove the jack screws (370D) with nuts (423).
5. Remove the bearing housing O-ring (496) and the bearings.
6. Remove the outboard bearing retaining snap ring (361A).



### Figure 13: Hardware removal

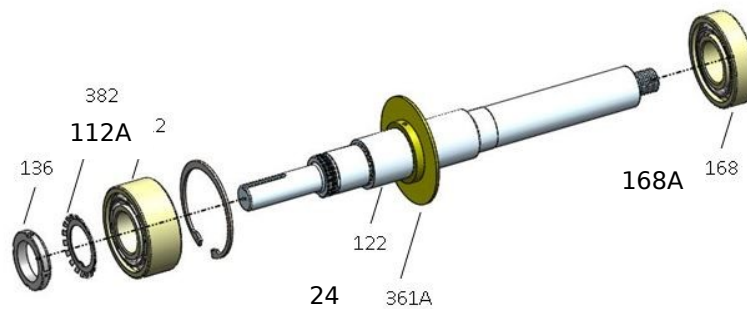
7. Remove the bearing housing (134) and the shaft (122).



### Figure 14: Bearing housing removal

8. Remove the bearing locknut (136) and bearing lock washer (382).
9. Remove the inboard bearing (168A).
10. Remove the outboard bearing (112A).

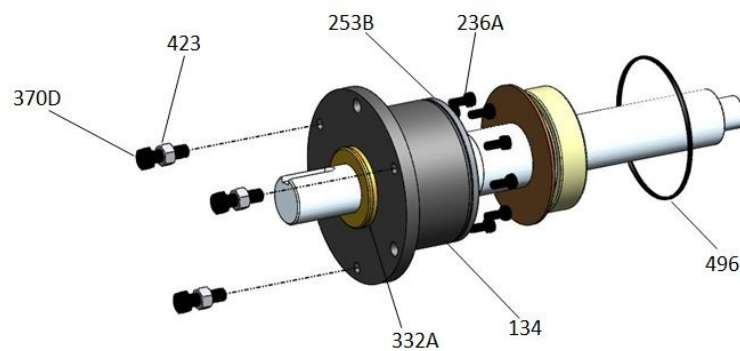




**Figure 15: Bearing removal**

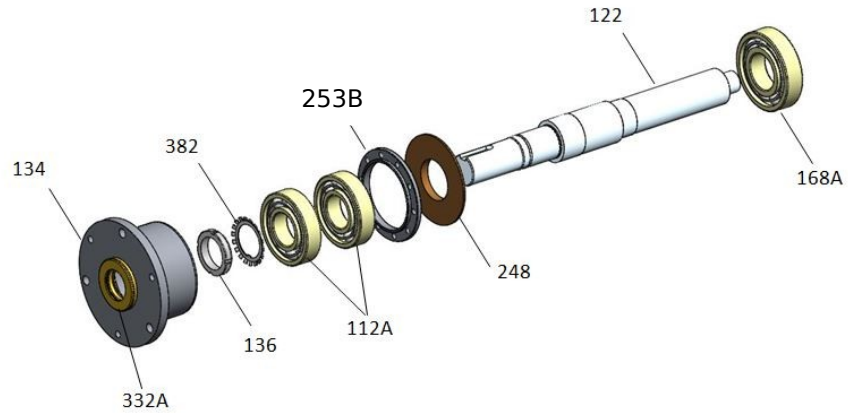
**Disassemble the power end (Group 1 and 2 with duplex bearings)**

1. Remove the clamp screws (370C) and back off the jam nuts (423).
2. Tighten the jack screws (370D) evenly to move the bearing housing (134) out of the bearing frame (228).
3. Remove the shaft assembly from the bearing frame (228).
4. Remove the jack screws (370D) with the nuts (423).
5. Remove the bearing housing O-ring (496).



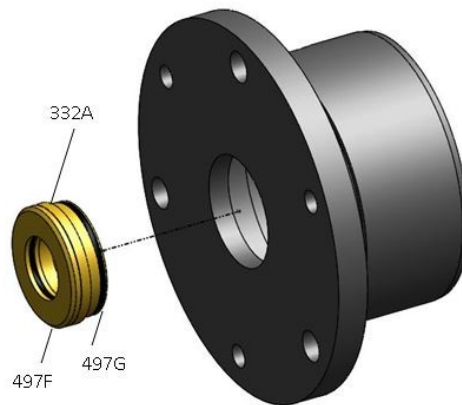
**Figure 16: Hardware removal - Group 1&2 duplex bearing**

6. Remove the clamp ring screws (236A) and separate the clamp ring (253B) from the bearing housing (134).  
You must remove the bearings before you can remove the clamp ring from the shaft.
7. Remove the bearing housing (134).
8. Remove the inboard bearing (168A).



**Figure 17: Bearing removal - Group 1 & 2 duplex bearing**

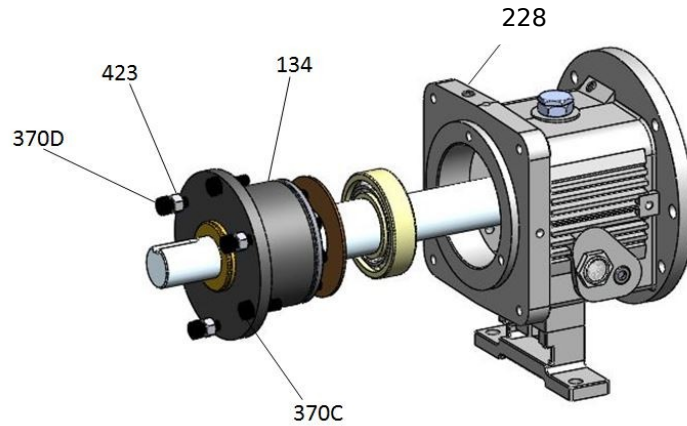
9. Remove the bearing locknut (136) and bearing lock washer (382).
  10. Remove the outboard bearings (112A) and clamping ring (253B).
  11. Remove the outboard labyrinth oil seal (332A) from the bearing housing (134).
- Remove the O-rings (497F and 497G) if it is necessary. Labyrinth oil seal O-rings are part of the PWA maintenance kits and they are sold separately.



**Figure 18: Labyrinth seal removal bearing housing**

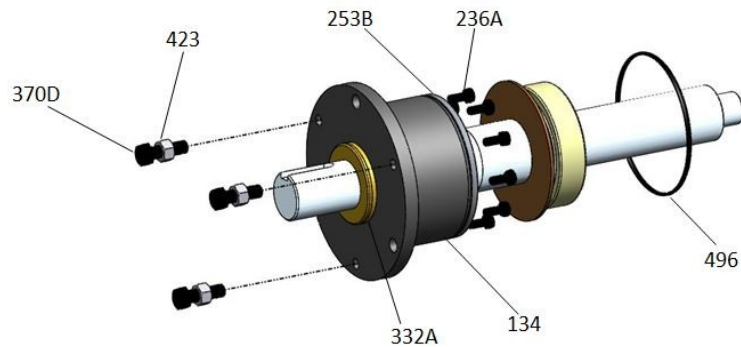
**Disassemble the power end (Group 3)**

1. Remove the clamp screws (370C) and back off the jam nuts (423).
2. Evenly tighten the jack screws (370D) to move the bearing housing (134) out of the bearing frame (228).
3. Remove the shaft assembly from the bearing frame (228).



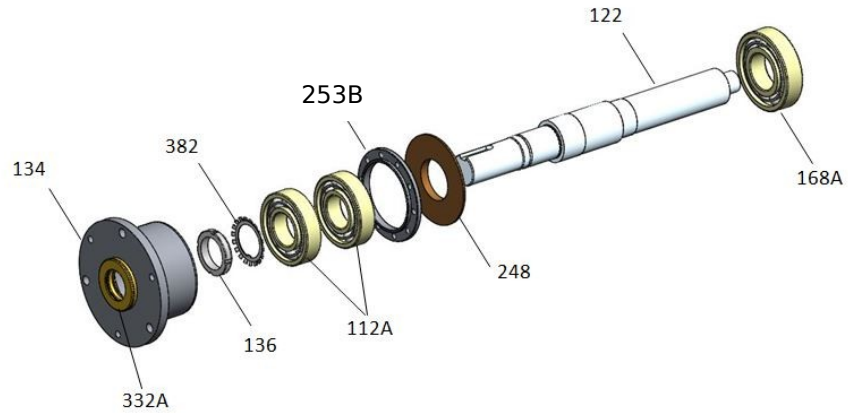
**Figure 19: Shaft assembly removal**

4. Remove the jack screws (370D) with the nuts (423).
5. Remove the clamp-ring screws (236A) and separate the clamp ring (253B) from the bearing housing (134).  
You must remove the bearings before you can remove the clamp ring from the shaft.
6. Remove the bearing housing O-ring (496) and the inboard bearing (168A).



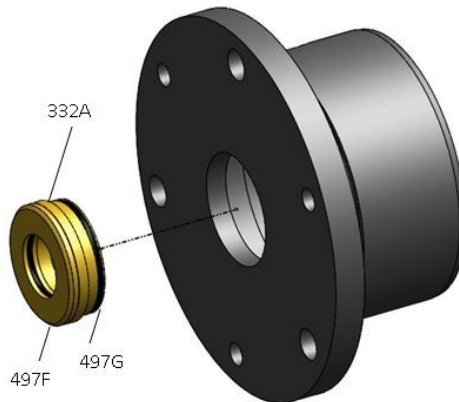
**Figure 20: Hardware removal - Group 3**

7. Remove the bearing housing (134).



**Figure 21: Bearing removal - Group 3**

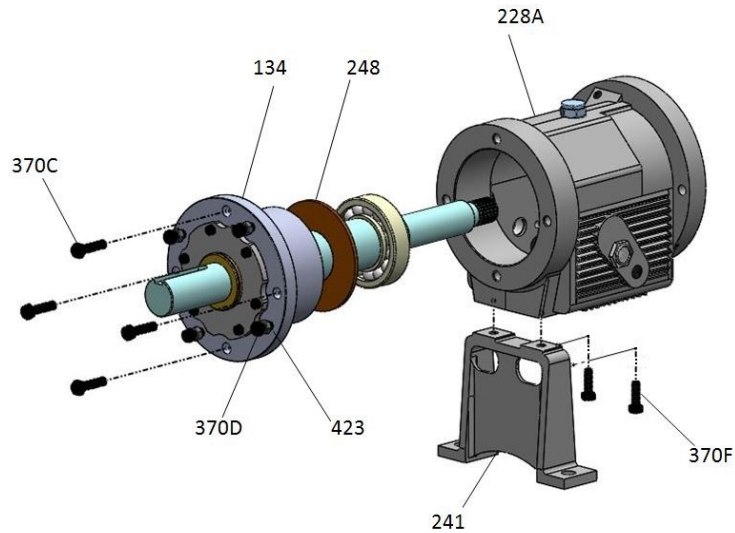
8. Remove the inboard bearing (168A)
9. Remove the bearing lock nut (136) and the bearing lock washer (382).
10. Remove the outboard bearings (112A) and the clamp ring (253B).
11. Remove the outboard labyrinth oil seal (332A) from the bearing housing (134).
12. Remove the O-rings (497F and 497G) if it is necessary.  
Labyrinth oil-seal O-rings are part of the PWA maintenance kits, and they are sold separately.



**Figure 22: Labyrinth seal removal - Group 3**

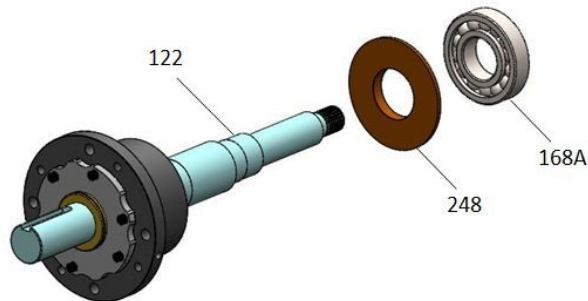
### **Disassemble the power end (Group 4)**

1. Remove the bearing frame from the frame foot (241) using the frame-foot bolts (370F).



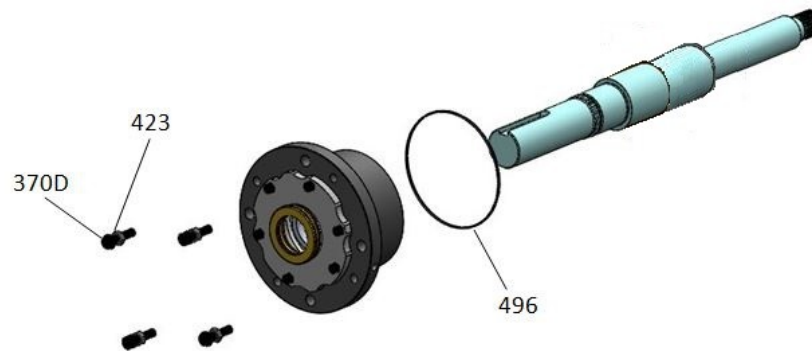
**Figure 23: Shaft assembly removal - Group 4**

2. Remove the clamp screws (370C) and back off the jam nuts (423).
3. Tighten the jack screws (370D) evenly to move the bearing housing (134) out of the bearing frame (228).
4. Remove the shaft assembly from the bearing frame (228).



**Figure 24: Flinger and bearing removal - Group 4**

5. Remove the inboard bearing (168A) and flinger (248).



**Figure 25: Bearing housing removal - Group 4**

6. Remove the jack screws (370D), the nuts (423), and the bearing housing O-ring.
7. Remove the bolts (371C), the bearing end cover (109C), and the gasket (360C).
8. Remove the outboard labyrinth oil seal (332A) from the end cover (109C).
9. Remove the O-rings (497F and 497G) if it is necessary.  
Labyrinth oil-seal O-rings are part of the PWA maintenance kits, and they are sold separately.

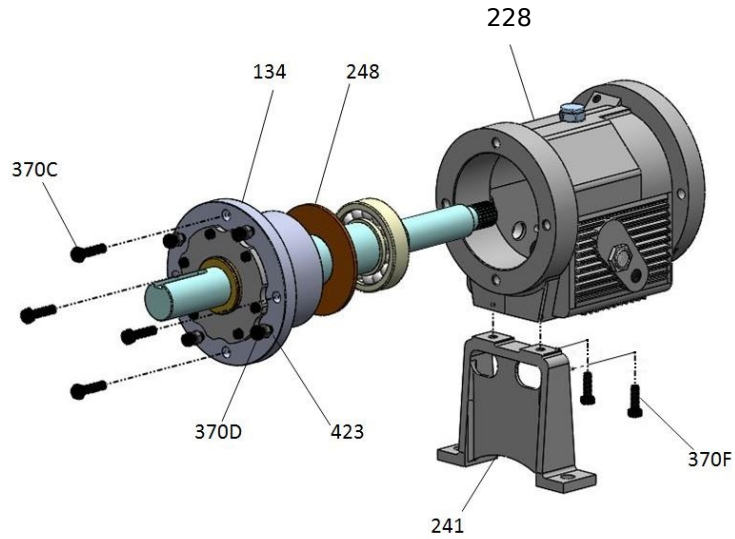


**Figure 26: Bearing housing disassembly - Group 4**

10. Remove the bearing housing (134).
11. Remove the bearing locknut (136), the bearing lock washer (382), and the outboard bearing (112A).

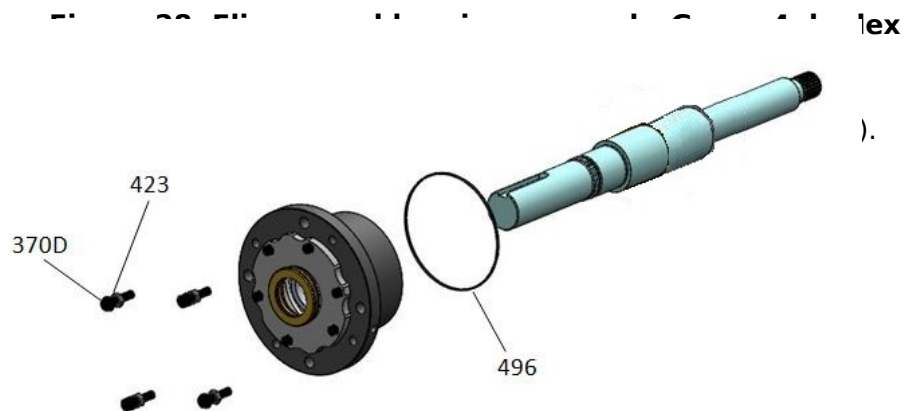
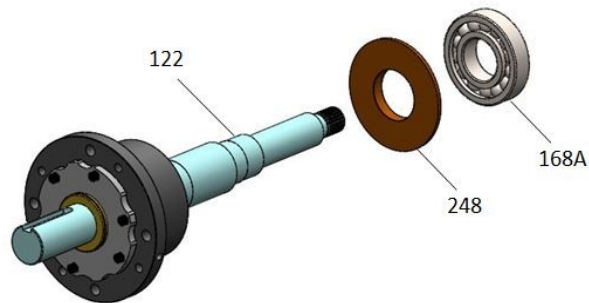
### **Disassemble the power end (Group 4 with duplex bearings)**

1. Remove the bearing frame to frame foot (241) using the frame-foot bolts (370F).



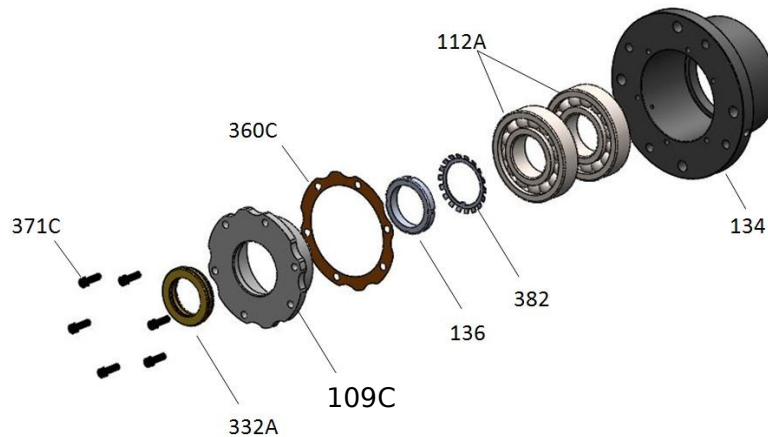
**Figure 27: Shaft assembly removal - - Group 4 duplex bearing**

2. Remove the clamp screws (370C) and back off the jam nuts (423).
3. Tighten the jack screws (370D) evenly to move the bearing housing (134) out of the bearing frame (228).
4. Remove the shaft assembly from the bearing frame (228).



**Figure 29: Bearing housing removal - Group 4 duplex bearing**

6. Remove the jack screws (370D) and the nuts (423).
7. Remove the bolts (371C), the end cover (109C), and the gasket (360C).
8. If necessary, remove the outboard labyrinth oil seal (332A) from the end cover (109C) and remove the O-rings (497F and 497G). Labyrinth oil-seal O-rings are part of the PWA maintenance kits, or they are sold separately.

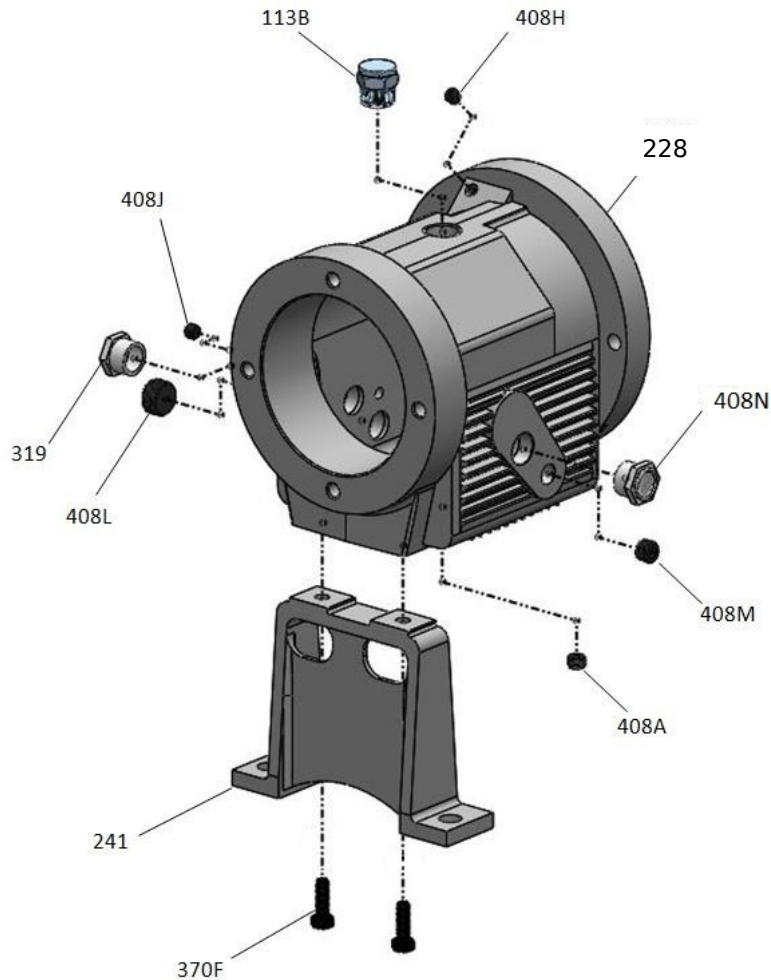


**Figure 30: Bearing housing disassembly - Group 4 duplex bearing**

9. Remove the bearing housing (134).
10. Remove the bearing locknut (136), the bearing lock washer (382), and the outboard bearing (112A).



**Disassemble the bearing frame**



**Figure 31: Bearing frame disassembly - Group 4**

1. Remove these plugs from the bearing frame (228).
  - Oil-fill plug (113B)
  - Oil-drain plug (408A)
  - Plug-oiler (408J)
  - Two oil mist/grease connection plugs (408H)
  - oil-cooler inlet and outlet plugs (408L and 408M) or oil cooler
2. For the Group 2 and Group 3 models, remove the bearing frame foot-to-frame bolts (370F) and the frame foot (241).

## Pre-assembly inspections

### Guidelines

Before you assemble the pump parts, make sure you follow these guidelines:

- Inspect the pump parts according to the information in these pre-assembly topics before you reassemble your pump. Replace any part that does not meet the required criteria.
- Make sure that the parts are clean. Clean the pump parts in solvent in order to remove oil, grease, and dirt.

**NOTICE****NOTICE:**

Protect machined surfaces while you clean the parts.  
Failure to do so may result in equipment damage.

## Replacement guidelines

### Casing check and replacement

**WARNING****WARNING:**

Avoid death or serious injury. Leaking fluid can cause fire and/or burns.  
Inspect and assure gasket sealing surfaces are not damaged and repair or replace as necessary.

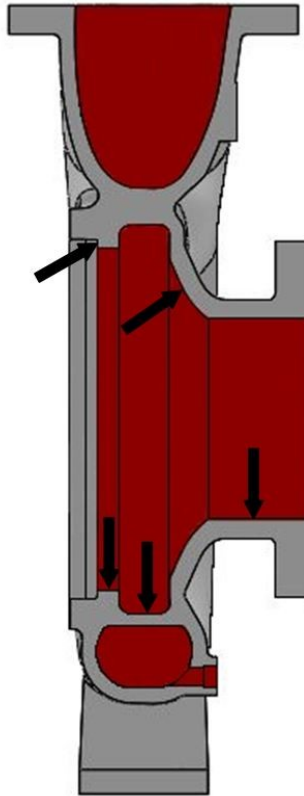
Inspect the casing for cracks and excessive wear or pitting.  
Thoroughly clean gasket surfaces and alignment fits in order to remove rust and debris.

Repair or replace the casing if you notice any of these conditions:

- Localized wear or grooving that is greater than 1/8 in. (3.2 mm) deep
- Pitting that is greater than 1/8 in. (3.2 mm) deep

### Casing areas to inspect

The arrows point to the areas to inspect for wear on the casing:



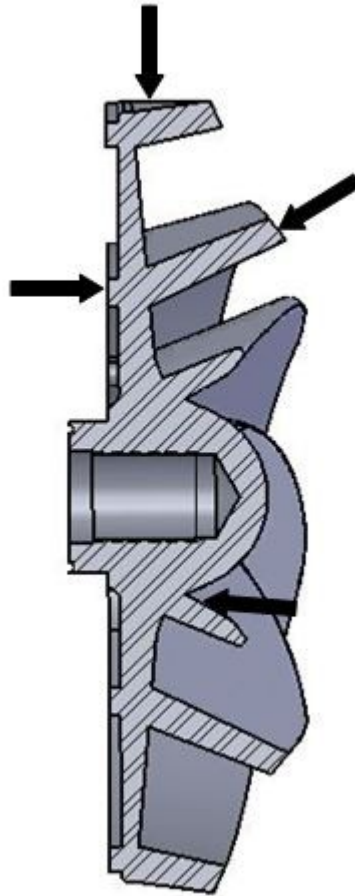
**Figure 32: Case inspection PWA**

## Impeller replacement

**Table 6: Replacing the impeller**

Inspection Area	When to replace
Impeller vanes	<ul style="list-style-type: none"><li>• When grooved deeper than 1/16 in. (1.6 mm), or</li><li>• When worn evenly more than 1/32 in. (0.8 mm)</li></ul>
Pumpout vanes (back of Vane edges	When worn more than 1/32 in. (0.8 mm)
	Cracks, pitting, or corrosion damage

## Impeller areas to inspect



**Figure 33: Areas to inspect for wear on the PWA impeller.**

## Labyrinth seal replacement

Replace the labyrinth seal O-ring if it has cuts and cracks. Replace the entire labyrinth-seal assembly if it is damaged or bent. Rotate the seal several times by hand before installation. If it does not spin smoothly, it should be replaced.

## Gaskets and O-ring replacement

### **WARNING:**

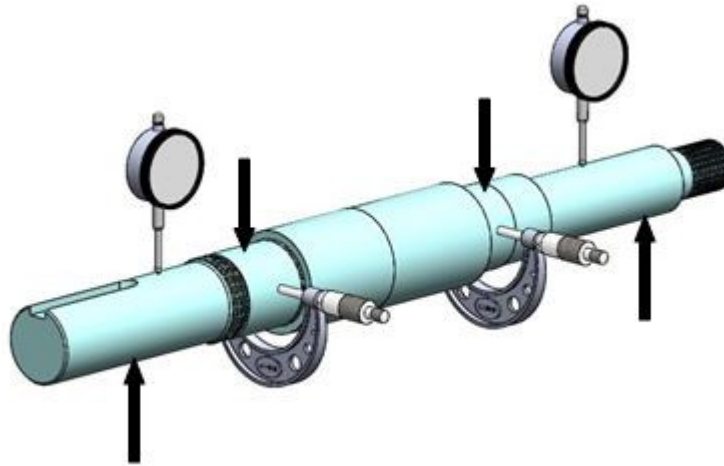
Avoid death or serious injury. Leaking fluid can cause fire and/or burns. Replace any damaged or worn gaskets/o-rings.

- Replace all gaskets and O-rings at each overhaul and disassembly.

## Shaft and sleeve replacement guidelines

### Shaft measurements check

Replace the shaft (122) if any measurements exceed acceptable values. See Bearing fits and tolerances.



**Figure 34: Shaft run out inspection**

### Straightness check

Replace the shaft (122) if runout exceeds the values in this table:

**Table 7: Shaft run out tolerances for sleeve fit and coupling fit**

	<b>Sleeve fit in inches ( millimeters)</b>	<b>Coupling fit in inches (millimeters)</b>
With sleeve	0.001 (0.025)	0.001 (0.025)
Without sleeve	0.002 (0.051)	0.001 (0.025)

### Shaft and sleeve check

- Check the shaft and sleeve (126) surface for grooves and pitting.
- Replace the shaft and sleeve if any grooves or pits are found.

## Bearing-frame inspection

### Checklist

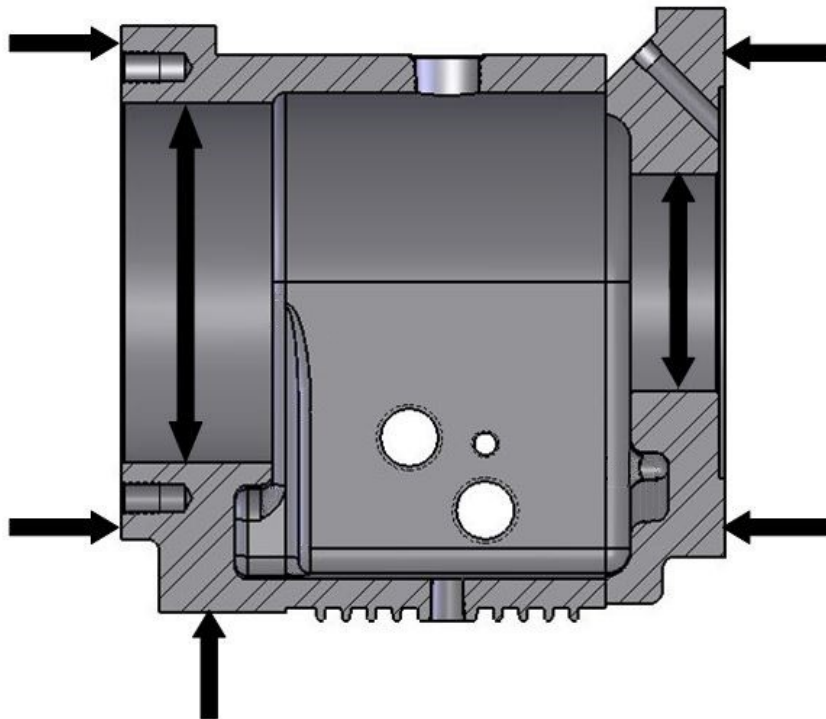
Check the bearing frame for these conditions:

- Visually inspect the bearing frame and frame foot for cracks.

- Check the inside surfaces of the frame for rust, scale, or debris. Remove all loose and foreign material.
- Make sure that all lubrication passages are clear. If the frame has been exposed to pumped fluid, inspect the frame for corrosion or pitting.
- Inspect the inboard-bearing bores. If any bores are outside the measurements in the Bearing fits and tolerances table, replace the bearing frame.

### Surface inspection locations

This figure shows the areas to inspect for wear on the bearing frame outside surface.



**Figure 35: Outside & Inside surface inspection locations - bearing frame**

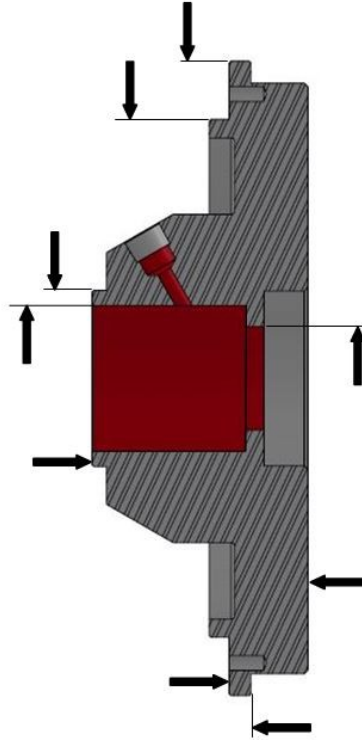
## Seal chamber and casing cover inspection

### Checklist

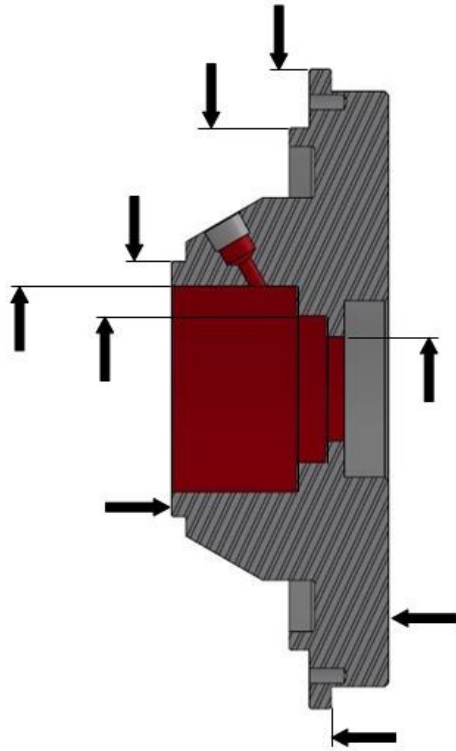
Perform these checks when you inspect the seal chamber and stuffing box cover:

- Make sure that these surfaces are clean:
  - 1) Seal chamber and stuffing box cover
  - 2) Mounting
- Replace the seal chamber and stuffing box cover if pitting or wear

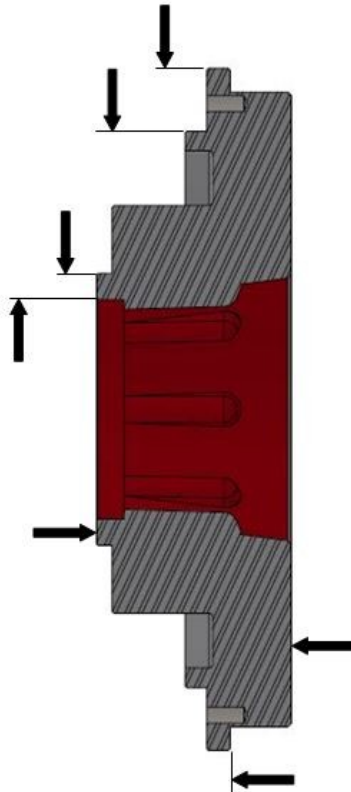
- exceeds 1/8" (3.2 mm) deep.
- Inspect the machined surfaces and mating faces noted in the figures. These images point to the areas to inspect:



**Figure 36: Casing cover inspection areas - Standard Bore**



**Figure 37: Casing cover inspection areas - Big Bore**



**Figure 38: Casing cover inspection areas - Taper Bore**



# Bearing-housing inspection

## Checklist

- Inspect the bearing-housing (134) bore according to the bearing fits and tolerances table.
- Replace the bearing housing if the dimensions exceed acceptable values. Reference: see Bearings fits and tolerances.
- Visually inspect the bearing housing for cracks and pits.

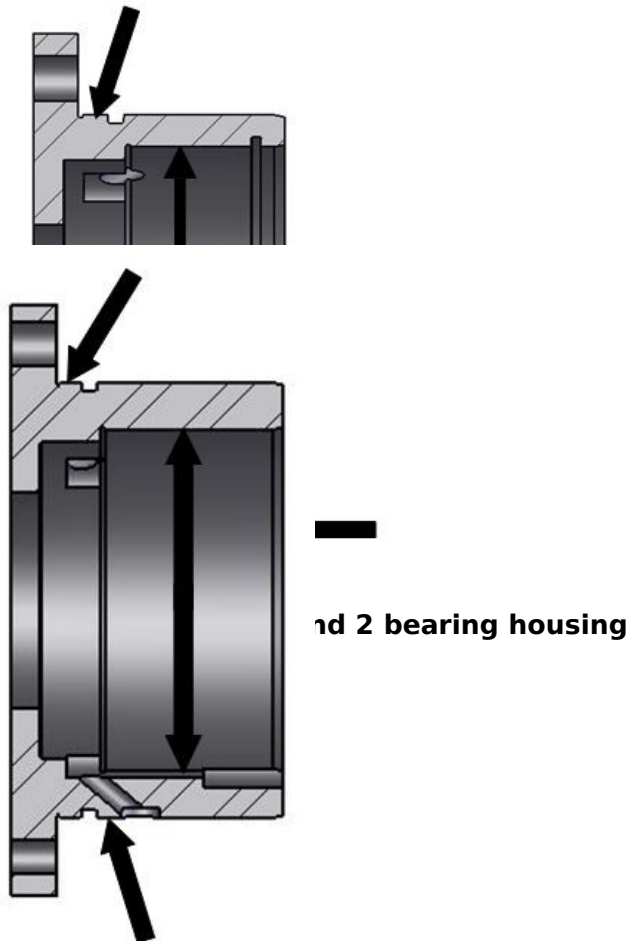
## Checklist for specific models

**Table 8: Bearing housing checks**

Frame	Bearing-housing check
Group 1, 2, 3	Clean grooves, drain port and face
Group 4	Clean grooves, drain port, face and gasket

## Inspection locations

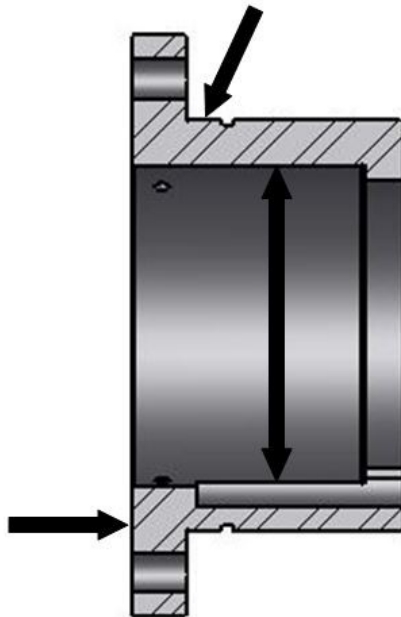
The following images point to the areas to inspect on the bearing housing.



**Figure 39: Inspect**

**nd 2 bearing housing**

**Figure 40: Inspection areas - Group 3 bearing housing**



**Figure 41: Inspection areas - Group 4 bearing housing**

## Bearing fits and tolerances

**Table 9: Bearing fits and tolerances table**

This table references the bearing fits and tolerances for the PWA, PWA-LF and PWA-

SP

	<b>Group 1 inches</b>	<b>Group 2 inches (millimeters)</b>	<b>Group 3 inches (millimeters)</b>	<b>Group 4 inches (millimeters)</b>
<b>Shaft OD</b>	1.3785 (35.014) 1.3781 (35.004)	1.7722 (45.014) 1.7718 (45.004)	2.1660 (55.016) 2.1655 (55.004)	2.5597 (65.016) 2.5592 (65.004)

<b>Bearing ID NDE</b>	1.3780 (35.001) 1.3775 (34.989)	1.7717 (45.001) 1.7712 (44.988)	2.1654 (55.001) 2.1648 (54.986)	2.5591 (65.001) 2.5585 (64.986)
<b>FIT</b>	0.0010 (0.025) tight	0.0010 (0.025) tight 0.0001 (0.003) tight	0.0012 (0.030) tight 0.0001 (0.003) tight	0.0012 (0.030) tight 0.0001 (0.003) tight
<b>Frame ID NDE</b>	2.8358 (72.029) 2.8351 (72.011)	3.9384 (100.035) 3.9375 (100.013)	4.7258 (120.035) 4.7249 (120.012)	5.5133 (140.038) 5.5123 (140.012)
<b>Bearing OD NDE</b>	2.8346 (72.000) 2.8341 (71.986)	3.9370 (100.000) 3.9364 (99.985)	4.7244 (120.000) 4.7238 (119.985)	5.5118 (140.000) 5.5111 (139.982)
<b>FIT</b>	0.0017 (0.043) loose 0.0005 (0.013) loose	0.0020 (0.051) loose 0.0005 (0.013) loose	0.0020 (0.051) loose 0.0005 (0.013) loose	0.0022 (0.056) loose 0.0005 (0.013) loose
<b>Shaft OD DE</b>	1.1815 (30.010) 1.1812 (30.002)	1.7722 (45.014) 1.7718 (45.004)	1.9690 (50.013) 1.9686 (50.003)	2.5597 (65.016) 2.5592 (65.004)
<b>Bearing ID DE</b>	1.1811 (30.000) 1.1807 (29.990)	1.7717 (45.001) 1.7712 (44.988)	1.9685 (50.000) 1.9680 (49.987)	2.5591 (65.001) 2.5585 (64.986)
<b>FIT</b>	0.0008 (0.020) tight	0.0010 (0.025) tight 0.0001 (0.003) tight	0.0010 (0.025) tight 0.0001 (0.003) tight	0.0012 (0.030) tight 0.0001 (0.003) tight
<b>Housing ID DE</b>	2.8358 (72.029) 2.8351 (72.011)	3.9384 (100.035) 3.9375 (100.013)	4.3321 (110.035) 4.3312 (110.012)	5.5133 (140.038) 5.5123 (140.012)
<b>Bearing OD DE</b>	2.8346 (72.000) 2.8341 (71.986)	3.9370 (100.000) 3.9364 (99.985)	4.3307 (110.000) 4.3301 (109.985)	5.5118 (140.000) 5.5111 (139.982)
<b>FIT</b>	0.0017 (0.043) loose 0.0005 (0.013) loose	0.0020 (0.051) loose 0.0005 (0.013) loose	0.0020 (0.051) loose 0.0005 (0.013) loose	0.0022 (0.056) loose 0.0005 (0.013) loose

## Reassembly

### General Considerations



**CAUTION**

**CAUTION:**

*Wear insulated gloves when you use a bearing heater. Bearings get hot and can cause physical injury.*

**NOTICE**

**NOTICE:**

*Make sure that the pipe threads are clean, and that you apply thread sealant to the plugs and fittings. Failure to do so may result in equipment damage.*

**NOTICE**

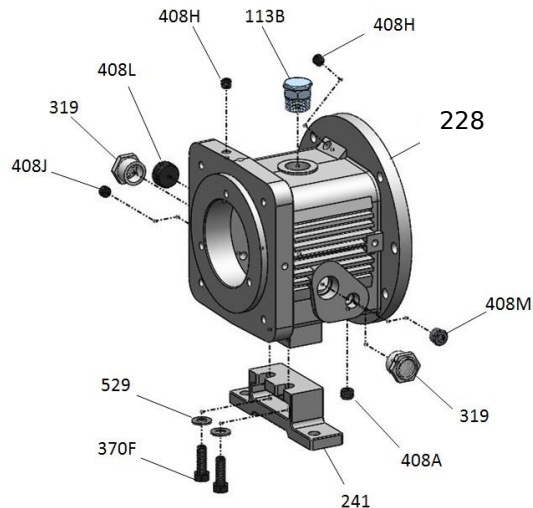
**NOTICE:**

*Only use a degaussing induction heater or precision oven to warm bearings for assembly. Improper bearing heating can significantly affect bearing life and pump performance.*

## Assemble the rotating element and the bearing frame (Group 1 & 2)

1. Prepare the bearing frame (228) as follows (see the illustration):
  - a) Install the oil-fill plug (113B).
  - b) Install the oil-drain plug (408A).
  - c) Install the sight glass (408N).

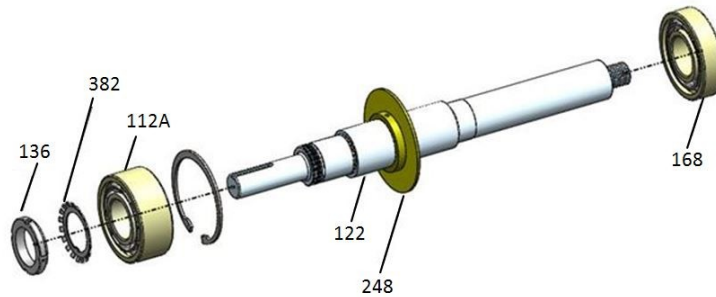
- d) Install the oiler plug (408J).
  - e) Install the plug for the oil-cooler inlet (408L).
  - f) Install the plug for the oil-cooler outlet (408M).
  - g) Install two oil-mist connection plugs (408H).  
Or: Install two grease fittings (193) and two grease-relief plugs
- (113)
- h) Attach the bearing-frame foot (241) and fasten the bolts (370F) and lock washer (529) by hand.



**Figure 42: Assemble the bearing frame and foot**

2. Install the outboard bearing (112A) on the shaft (122).  
The regreaseable bearing has a single shield. The outboard bearing is installed with the shield toward the impeller.
  - a) Inspect the shaft (122) to ensure that it is clean, dimensionally correct, and is free of nicks and burrs.
  - b) Lightly coat the bearing seating with a thin film of oil.
  - c) Remove the bearing (112A) from its packaging.
  - d) Wipe the preservative from the bearing (112A) bore and outer diameter
  - e) Use an induction heater with a demagnetizing cycle to heat the bearing (112A) to an inner ring temperature of 230 °F (110 °C).
  - f) Position the bearing (112A) on the shaft (122) against the shoulder and snug the locknut (136) against the bearing until it is cool.  
The locknut prevents the bearing from moving away from the shaft shoulder as it cools.
  - g) Remove the bearing locknut (136) after the bearing (112A) cools to room temperature.
3. Put the lock washer (382) onto the shaft (122).
4. Thread the locknut (136) onto the shaft (122) and tighten it until it is tight.
5. Bend the tangs of the lock washer into the slots of the locknut.
6. Make sure that the flat side of the snap ring is towards the bearing.
7. Coat the inner surfaces of the bearings with lubricant.
8. Install flinger disk (248) onto shaft.
9. Install the bearing clamp ring (253B).

10. Put the inboard bearing (168) onto the shaft (122).  
The regreaseable bearing has a single shield. Make sure that the bearing is installed with the shield away from the impeller.



**Figure 43: Shaft Assembly**

11. Prepare the shaft for assembly as follows:
- Install a new O-ring (496).
  - Coat the outside of the outboard bearing (112A) with oil.
  - Coat the bore of the bearing housing (134) with oil.
  - Put the bearing housing (134) onto the shaft.  
Do not use force.
  - Insert the bearing-retaining ring (361A) into the bore groove of the bearing housing (134).

**NOTICE**

**NOTICE:**

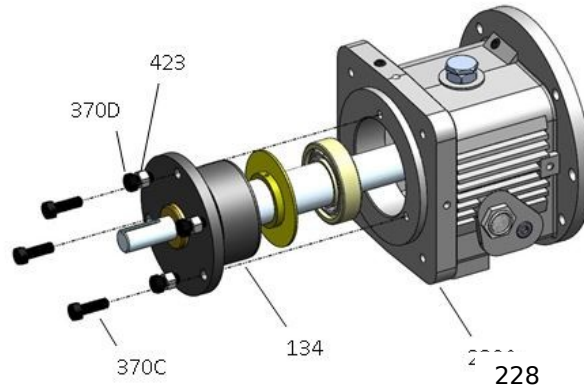
Ensure that the space between the ends of the retaining ring are located such that the oil return groove is not obstructed. **Return groove obstruction can cause reduced bearing life.**

Make sure that the shaft rotates freely.

- Install the outboard labyrinth oil-seal (332A) into the bearing housing (134).

Place the drain slots of the oil seal at the bottom position (6 o'clock).

Make sure that the edges of the keyway are free from burrs. To protect the O-ring, cover the keyway lengthwise with a piece of electrical tape before you install the oil seal.

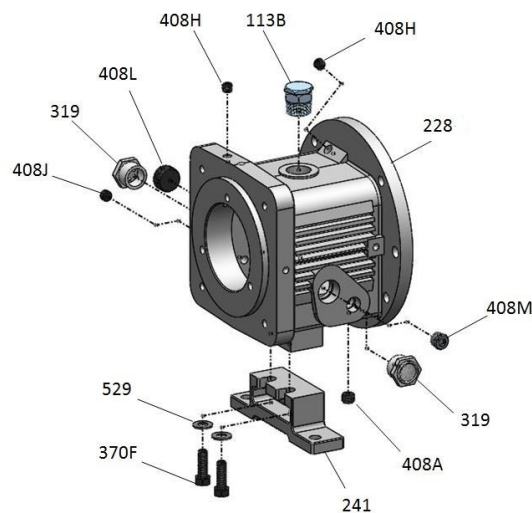


**Figure 44: Shaft assembly installation**

12. Install the shaft assembly into the bearing frame as follows (see the illustration):
  - a) Coat the outside of the bearing housing (134) with light oil.
  - b) Coat all the internal surfaces of the bearing frame (228) with light oil.
  - c) Install the shaft assembly into the bearing frame (228).  
Make sure that the shaft rotates freely.
  - d) Install the clamp bolts (370C) in the bearing housing (134) and tighten by hand.
  - e) Install the jack bolts (370D) with the locknuts (423) in the bearing housing (134) and tighten by hand.

## Assemble the rotating element and the bearing frame (Group 1 and 2 with duplex bearings)

1. Prepare the bearing frame (228) as follows (see the illustration):
  - a) Install the oil-fill plug (113B).
  - b) Install the oil-drain plug (408A).
  - c) Install the sight glass (319).
  - d) Install the plug-oiler (408J).
  - e) Install the plug for the oil-cooler inlet (408L).
  - f) Install the plug for the oil-cooler outlet (408M).
  - g) Install two oil-mist connection plugs (408H).  
Or: Install two grease fittings (193) and two grease-relief plugs (113).
  - h) Attach the bearing frame feet (241) and fasten the bolts



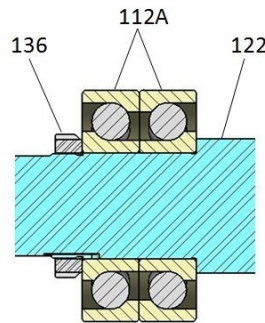
**Figure 45: Assemble the bearing frame and foot - duplex bearing**

2. Install flinger disk (248), clamping ring (253B) making sure the orientation is correct, and the outboard bearings (112A) on to the shaft (122).

The re-greasable bearing has a single shield. Make sure that the bearing is installed with the shield away from the impeller.

The duplex bearings are mounted back-to-back. Make sure that the orientation of the bearings is correct.

a) Inspect the shaft (122) to ensure that it is clean, dimensionally correct, and is free of nicks and burrs.

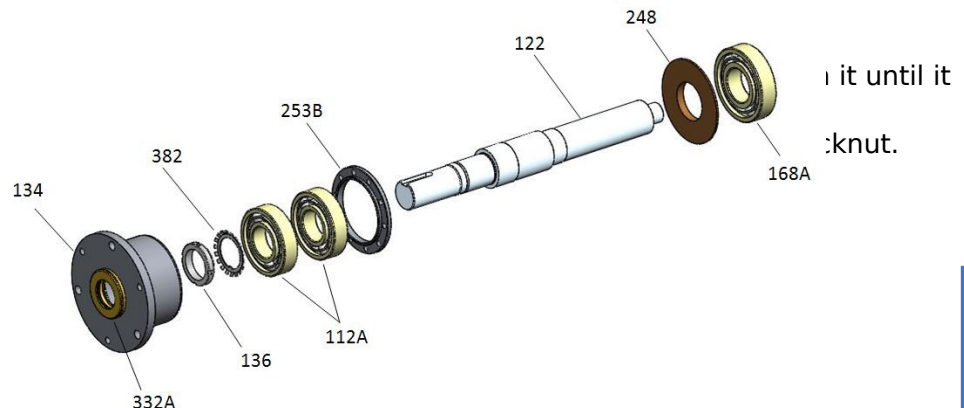


**Figure 46: Duplex bearing installation**

- b) Lightly coat the bearing seating with a thin film of oil.
- c) Remove the bearings (112A) from their packaging.
- d) Wipe the preservative from the bearing (112A) bore and outer diameter.
- e) Use an induction heater with a demagnetizing cycle to heat both bearings (112A) to an inner ring temperature of 230 °F (110 °C).
- f) Place both bearings (112A) on the shaft (122) with the large outer races together (back-to-back).
- g) Position the bearings (112A) on the shaft (122) against the shoulder and snug the locknut (136) against the bearings until they are cool.

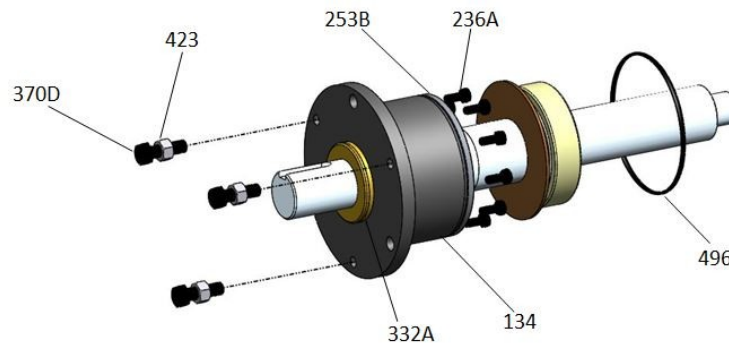
The locknut prevents the bearings from moving away from the shaft shoulder as they cool. Rotate the outer bearing rings relative to each other as they are placed on the shaft to assure good alignment.

h) Remove the bearing locknut (136) after the bearings (112A) are



**Figure 47: Shaft assembly - duplex bearings**

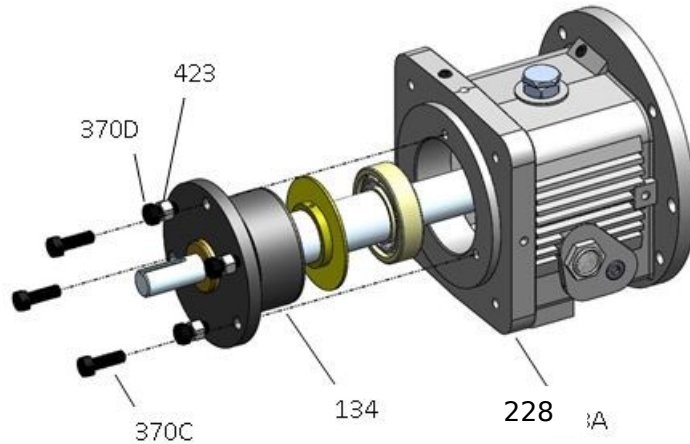
7. Put the inboard bearing (168A) onto the shaft (122).
8. Install the bearing housing as follows (see the illustration):
  - a) Coat the outside of the outboard bearing (112A) with oil.
  - b) Coat the bore of the bearing housing (134) with oil.
  - c) Put the bearing housing (134) onto the shaft.  
Do not use force.



**Figure 48: Housing assembly - duplex bearing**

9. Prepare the shaft for assembly as follows (see the illustration):
  - a) Fasten the clamp-ring bolts (236A) crosswise.  
See the specified torque values.  
Make sure that the shaft rotates freely.
  - b) Install a new O-ring (496).
  - d) Install the outboard labyrinth oil-seal (332A) into the bearing housing (134).  
Place the drain slots of the oil seal at the bottom position (6 o'clock).  
Make sure that the edges of the keyway are free from burrs. To protect the O-ring, cover the keyway lengthwise with a piece of electrical tape before you install the oil seal.



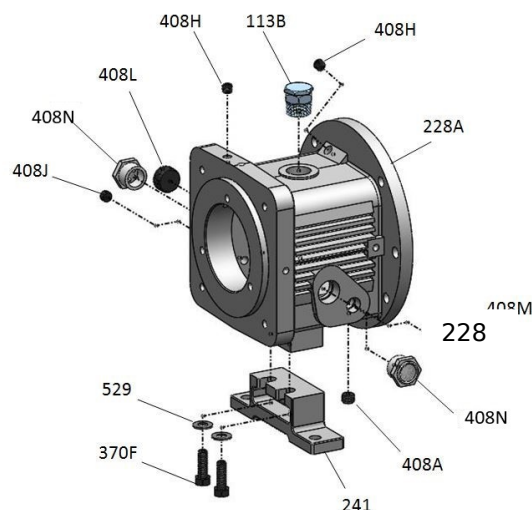


**Figure 49: Shaft assembly installation - duplex bearing**

10. Install the shaft assembly into the bearing frame as follows (see the illustration):
  - a) Coat the outside of the bearing housing (134) with oil.
  - b) Coat all the internal surfaces of the bearing frame (228) with oil.
  - c) Install the shaft assembly into the bearing frame (228).  
Make sure that the shaft rotates freely.
  - d) Install the clamp bolts (370C) in the bearing housing (134) and tighten by hand.
  - e) Install the jack bolts (370D) with the locknuts (423) in the bearing housing (134) and tighten by hand.

### **Assemble the rotating element and the bearing frame (Group 3)**

1. Prepare the bearing frame (228) as follows (see the illustration):
  - a) Install the oil-fill plug (113B).
  - b) Install the oil-drain plug (408A).
  - c) Install the sight glass (408N).
  - d) Install the plug-oiler (408J).
  - e) Install the plug for the oil-cooler inlet (408L).
  - f) Install the plug for the oil-cooler outlet (408M).
  - g) Install two oil-mist connection plugs (408H).  
Or: Install two grease fittings (193) and two grease-relief plugs (113).
  - h) Attach the bearing frame feet (241) and fasten the bolts (370F).



### Figure 50: Assemble the bearing frame and foot - Group 3

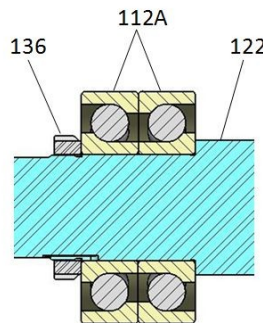
2. Install the oil flinger (248) onto the shaft (122).

#### NOTICE

##### NOTICE:

The oil flinger is press fitted onto the shaft. Use a properly sized driver. Failure to do so may result in damage to the oil flinger.

3. Place the bearing-clamp ring (253B) onto the shaft (122).  
Make sure that the orientation of the bearing-clamp ring is correct.
4. Install outboard bearings (112A) on shaft (122).  
The regreaseable bearing has a single shield. Make sure that the bearing is installed with the shield away from the impeller.  
The duplex bearings are mounted back-to-back. Make sure that the orientation of the bearings are correct.
  - a) Inspect the shaft (122) to ensure that it is clean, dimensionally correct, and is free of nicks and burrs.



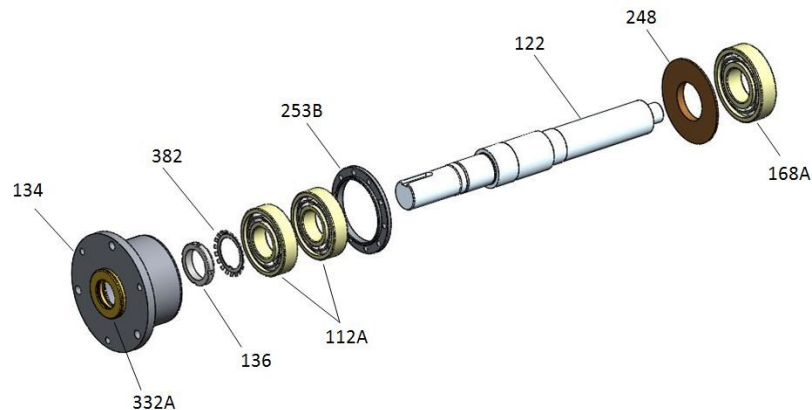
### Figure 51: Duplex bearing assembly - Group 3

- b) Lightly coat the bearing seating with a thin film of oil.
- c) Remove the bearings (112A) from their packaging.
- d) Wipe the preservative from the bearing (112A) bore and outer diameter.
- e) Use an induction heater with a demagnetizing cycle to heat both bearings (112A) to an inner ring temperature of 230 °F (110 °C).
- f) Place both bearings (112A) on the shaft (122) with the large outer races together (back-to-back).
- g) Position the bearings (112A) on the shaft (122) against the shoulder and snug the locknut (136) against the bearings until they are cool.

The locknut prevents the bearings from moving away from the shaft shoulder as they cool.

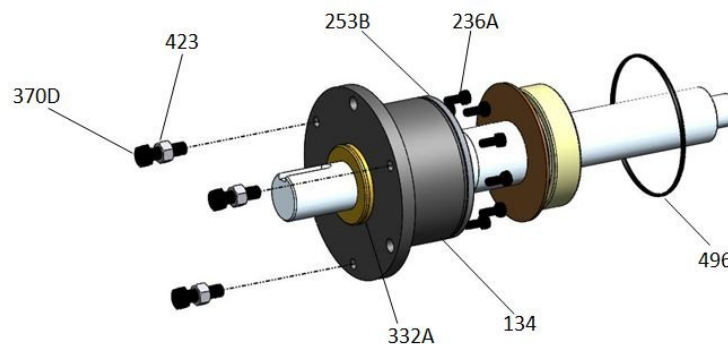
Rotate the outer bearing rings relative to each other as they are placed on the shaft to assure good alignment.

- h) Remove the bearing locknut (136) after the bearings (112A) are cool.
5. Put the lock washer (382) onto the shaft (122).
6. Thread the locknut (136) onto the shaft (122) and tighten it until it is tight.
7. Bend the tangs of the lock washer into the slots of the locknut.
8. Coat the inner surfaces of the bearings with lubricant.
9. Install the fling disk (248) onto the shaft
10. Put the inboard bearing (168A) onto the shaft (122).



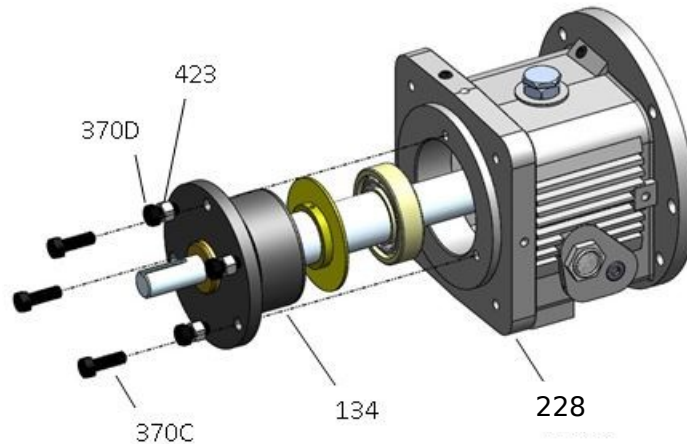
**Figure 52: Shaft Assembly - duplex bearing group 3**

11. Install the bearing housing as follows (see the illustration):
  - a) Coat the outside of the outboard bearing (112A) with oil.
  - b) Coat the bore of the bearing housing (134) with oil.
  - c) Put the bearing housing (134) onto the shaft.  
Do not use force.



**Figure 53: Housing assembly - Group 3**

12. Prepare the shaft for assembly as follows (see the illustration):
  - a) Fasten the clamp-ring bolts (236A) crosswise.  
See the specified torque values.  
Make sure that the shaft rotates freely.
  - b) Install a new O-ring (496).
  - c) Install the outboard labyrinth oil-seal (332A) into the bearing housing (134).  
Place the drain slots of the oil seal at the bottom position (6 o'clock).  
Make sure that the edges of the keyway are free from burrs.



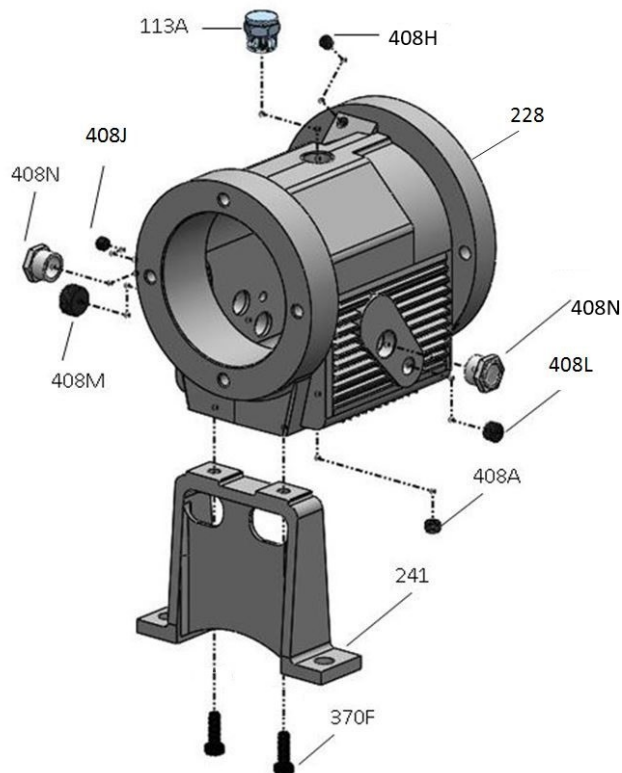
**Figure 54: Shaft assembly installation - Group 3**

13. Install the shaft assembly into the bearing frame as follows (see the illustration):
  - a) Coat the outside of the bearing housing (134) with oil.
  - b) Coat all the internal surfaces of the bearing frame (228) with oil.
  - c) Install the shaft assembly into the bearing frame (228).  
Make sure that the shaft rotates freely.
  - d) Install the clamp bolts (370C) in the bearing housing (134) and tighten by hand.
  - e) Install the jack bolts (370D) with the locknuts (423) in the bearing housing (134) and tighten by hand.

## **Assemble the rotating element and the bearing frame (Group 4)**

1. Prepare the bearing frame (228) as follows (see the illustration):
  - a) Install the oil-fill plug (113B).
  - b) Install the oil-drain plug (408A).
  - c) Install the sight glass (408N).
  - d) Install the oiler plug (408J).
  - e) Install the plug for the oil-cooler inlet (408L).
  - f) Install the plug for the oil-cooler outlet (408M).
  - g) Install two oil-mist connection plugs (408H).  
Or: Install two grease fittings (193) and two grease-relief plugs

(112)



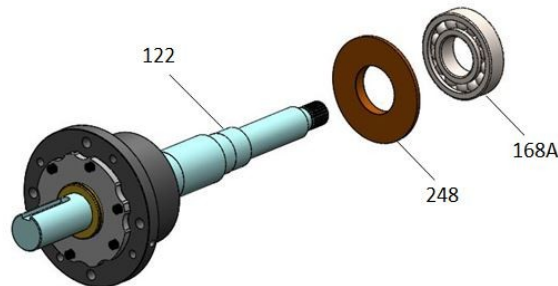
**Figure 55: Assemble the bearing frame and foot - Group 4**

2. Install the outboard bearings (112A) on the shaft (122).  
The re-greaseable bearing has a single shield. The outboard bearing is installed with the shield toward the impeller.
  - a) Inspect the shaft (122) to ensure that it is clean, dimensionally correct, and is free of nicks and burrs.
  - b) Lightly coat the bearing seating with a thin film of oil.
  - c) Remove the bearing (112A) from its packaging.
  - d) Wipe the preservative from the bearing (112A) bore and outer diameter.
  - e) Use an induction heater with a demagnetizing cycle to heat the bearing (112A) to an inner ring temperature of 230 °F (110 °C).
  - f) Position the bearing (112A) on the shaft (122A) against the shoulder and snug the locknut (136) against the bearing until it is cool.  
The locknut prevents the bearing from moving away from the shaft shoulder as it cools.
  - g) Remove the bearing locknut (136) after the bearing (112A) cools.
3. Put the lock washer (382) onto the shaft (122).
4. Thread the locknut (136) onto the shaft (122) and tighten it until it is snug.
5. Bend the tangs of the lock washer into the slots of the locknut.



**Figure 56: Bearing housing assembly - Group 4**

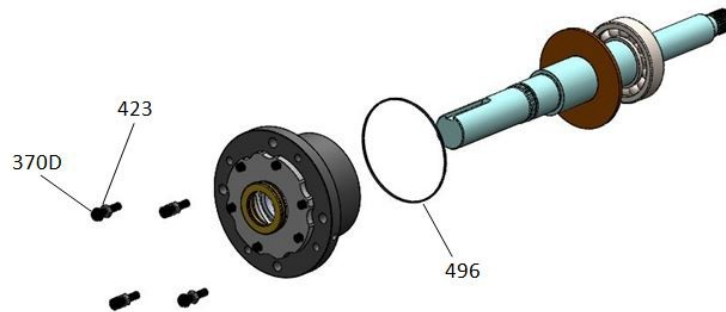
6. Install the bearing housing as follows (see the illustration):
  - a) Coat the outside of the outboard bearing (112A) with oil.
  - b) Coat the bore of the bearing housing (134) with oil.
  - c) Put the bearing housing (134) onto the shaft (from the NDE). Do not use force.
  
7. Fasten the gasket (360C) and the end cover (109C) with the bolts (371C).  
See the specified torque values.  
Make sure that the shaft rotates freely.



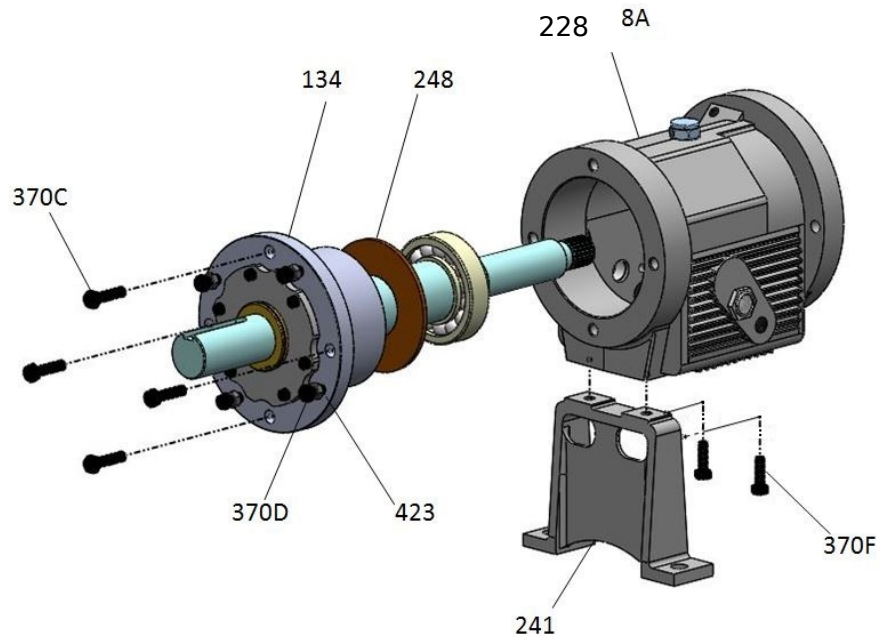
**Figure 57: Flinger and bearing installation - Group 4**

8. Install the inboard bearing as follows (see the illustration):
  - a) Coat the inner surfaces of the bearings with lubricant.
  - b) Install the flinger disk (248) onto the shaft.
  - c) Put the inboard bearing (168A) onto the shaft (122).  
The regreaseable bearing has a single shield. Make sure that the bearing is installed with the shield away from the impeller
  
9. Install the remaining parts onto the bearing shaft as follows (see the illustration):
  - a) Install a new O-ring (496).
  - b) Install the outboard labyrinth oil-seal (332A) into the end cover (109C).  
Place the drain slots of the oil seal at the bottom position (6 o'clock).

Make sure that the edges of the keyway are free from burrs.



**Figure 58: Final assembly**



**Figure 59: Shaft assembly installation - Group 4**

10. Install the shaft assembly into the bearing frame as follows (see the illustration):

- a) Coat the outside of the bearing housing (134) with oil.
- b) Coat all the internal surfaces of the bearing frame (228) with oil.
- c) Install the shaft assembly into the bearing frame (228).  
Make sure that the shaft rotates freely.
- d) Install the clamp bolts (370C) in the bearing housing (134) and tighten by hand.
- e) Install the jack bolts (370D) with the locknuts (423) in the bearing housing (134) and tighten by hand.
- f) Attach the bearing-frame foot (241) and fasten the bolts (370F)

by hand.

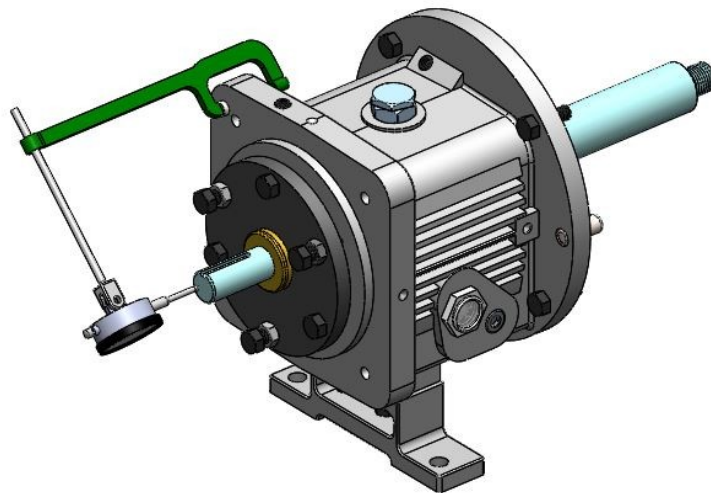
## Assemble the frame

1. Support the frame assembly in a horizontal position.
2. Check the shaft-end play by moving the shaft forward and backward by hand, and note any indicator movement.  
If the total indicator reading is greater than the values in this table, then disassemble the shaft assembly and determine the cause.

**Table 10: Shaft-end play**

Use this table as a reference for shaft-end play values

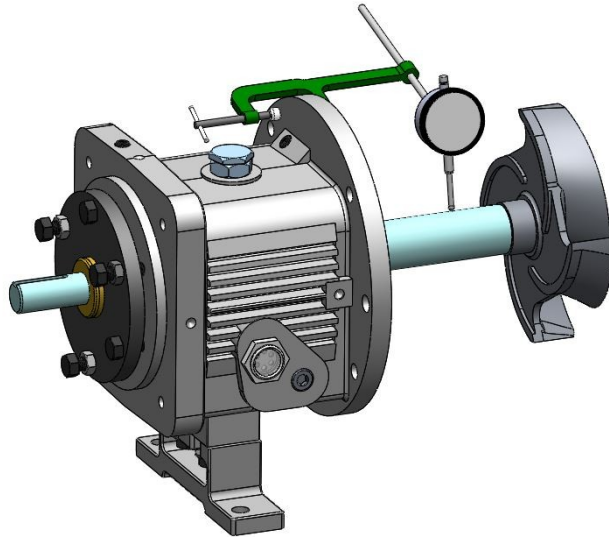
	<b>Double row bearing</b>	<b>Duplex bearing</b>
Group 1 inches (millimeters)	0.0011 (0.028) 0.0019 (0.048)	0.0007 (0.018) 0.0010 (0.025)
Group 2 inches (millimeters)	0.0013 (0.033) 0.0021 (0.053)	0.0009 (0.023) 0.0012 (0.030)
Group 3 inches (millimeters)	Not applicable	0.0010 (0.025) 0.0015 (0.038)
Group 4 inches (millimeters)	0.0014 (0.036) 0.0023 (0.058)	0.0010 (0.025) 0.0015 (0.038)



**Figure 60: Indicator Installation - shaft/shaft sleeve runout.**

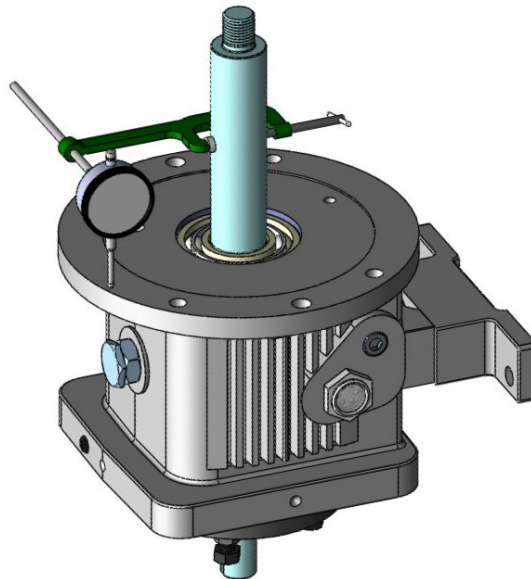
3. Check the shaft/shaft sleeve (126) runout.
  - a) Install the shaft sleeve.
  - b) Thread the impeller on the shaft until hand tight.
  - c) Rotate the shaft 360°.
  - d) If the total indicator reading is greater than 0.002 in. (0.051 mm), then disassemble the shaft sleeve and determine the cause.
  - e) Remove the impeller and shaft sleeve.





**Figure 61: Indicator Installation - Shaft Sleeve Runout**

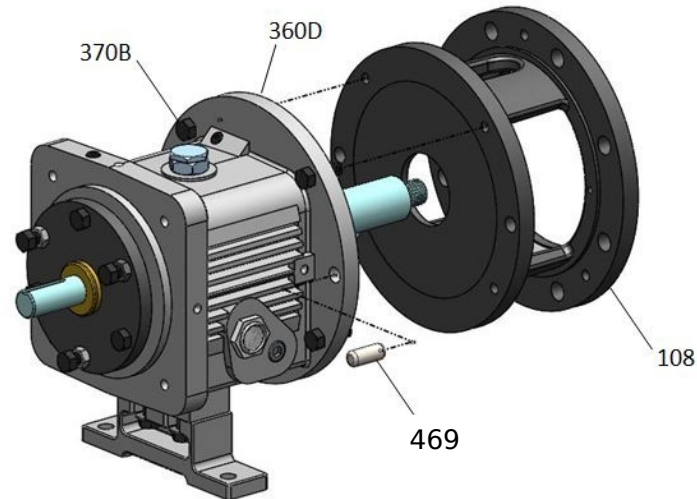
4. With the frame in the vertical position check the frame-face runout by rotating the shaft so that the indicator measures the fit for 360°. If the total indicator reading is greater than 0.002 in. (0.050 mm), then disassemble and determine the cause.



**Figure 62: Indicator installation - frame face runout**

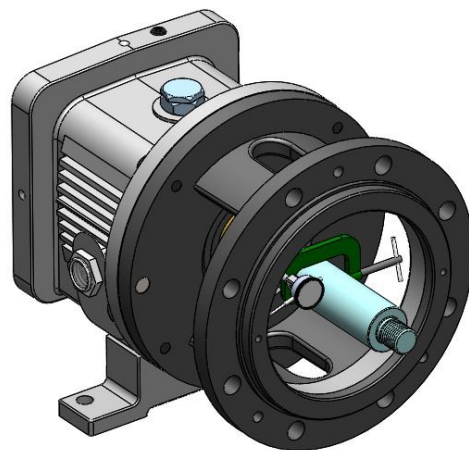
5. Place the o-ring (360D) on the frame adapter (108).
6. Install the frame adapter.
  - a) Place the frame adapter (108) onto the frame assembly.

- b) Align the bolt holes and dowel locations on the frame adapter with the bolt holes and dowel locations on the frame.



**Figure 63: Frame adapter installation**

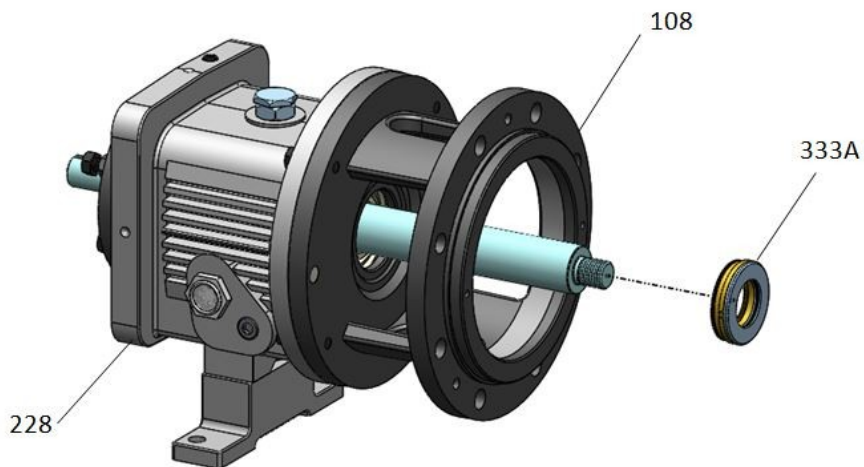
- b) Install the bolts hand tight (370B).  
c) Install the dowel pins (469B) in their holes on the back side of the frame (360D) with a brass hammer, then drive them through the adapter (108).  
d) Tighten the bolts in a star pattern according to the specifications in the bolt torque values table.
- d) Rotate the shaft 360° to check the adapter fit.  
If the total indicator reading is greater than 0.005 in. (0.13 mm), then determine the cause and correct it before you proceed.



**Figure 64: Indicator installation - Frame adapter runout**

7. Install the labyrinth oil-seal (333A) into the adapter (108) and the bearing frame (228).

- The labyrinth oil seal is an O-ring fit.
8. Position the labyrinth oil-seal drain slots at the bottom (6 o'clock) position.



**Figure 65: Bearing Isolator installation**

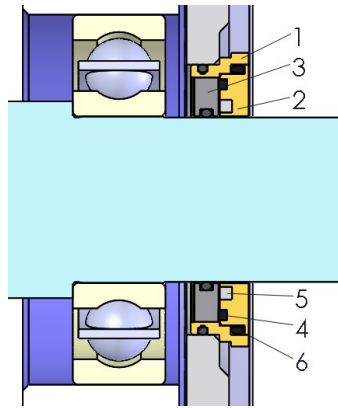
## ISOMAG oil seal description

### Description

The ISOMAG Oil Seal consists of the Housing Adapter (1), Stationary Case (2), Rotary Face (3). The ISOMAG oil seal is an O-ring mounted cartridge, easily installed into the housing and over the shaft by hand, no tools required. The “Easy-Fit” design allows the unit to be re-used, over and over, and also eliminates shaft wear. ISOMAG utilizes lapped flat faces to create a positive liquid tight seal without the leak paths common to Labyrinth style oil seals.

### NOTICE:

The ISOMAG is a one-piece design. Do not attempt to separate the rotor from the stator before or during installation. Doing so may result in equipment damage.



**Figure 66: ISOMAG Oil Seal assembly**

**Table 11: ISOMAG Oil Seal Part Description**

A	1	Housing Adapter
	2	Stationary Case
	3	Rotary Face
	4	Stationary Face
	5	Magnets
	6	O-rings (QTY. 3)

## Install the ISOMAG oil seal

1. Wrap electrical tape around the coupling end of the shaft to cover the keyway.

### NOTICE

#### NOTICE:

*The edges of the keyway can be sharp. Make sure to cover the keyway with tape. Failure to do so may result in cutting the O-ring and damaging the seal.*

2. Lightly lube the shaft and the rotary face o-ring (3) with lubricant. Lubricant helps in the installation process. Be sure that the lubricant is compatible with the O-ring material and the pump-system standards.

3. Slide the ISOMAG cartridge over the shaft and gently push (see note below) the housing

adapter (1) into the bore of the host component until the face is securely seated.

NOTE: Apply even pressure across the entire exposed face of the housing adapter (1) to

ensure maximum seal life in your application.

4. Complete the applicable step in this table depending on the model of your pump.

**Table 12: ISOMAG oil-seal installation**

**Slide the cartridge along the shaft and into the component listed below**

Group	Drive End (DE)	Non-Drive
1	Housing	Frame

2,3	Housing	Adapter
4	Cover,	Adapter

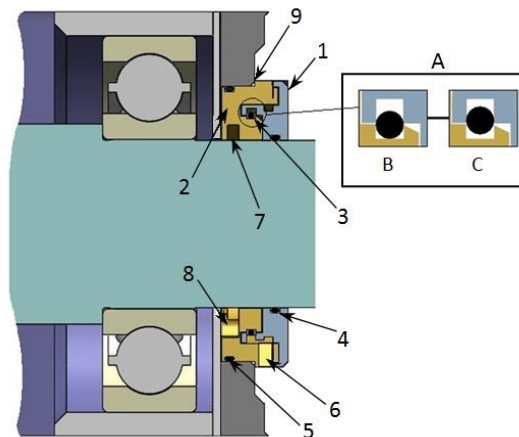
## INPRO labyrinth oil seal description

### Description

The INPRO VBXX-D Labyrinth Oil Seal consists of the rotor (1), the stator (2), and the VBX Ring (3). The rotor (1) fits over the shaft and is held in place by an elastomeric drive ring (4). The drive ring causes the rotor to turn with the shaft and provides a positive, static seal against the shaft. Since there is no metal-to-metal contact, there are no friction or wear concerns.

### NOTICE:

The INPRO VBXX-D is a one-piece design. Do not attempt to separate the rotor from the stator before or during installation. Doing so may result in equipment damage.



**Figure 67: INPRO Labyrinth Oil Seal assembly**

**Table 13: INPRO Labyrinth Oil Seal Part Description**

A	A	"VBX" O-ring action
	B	Static
	C	Dynamic
	1	Rotor
	2	Stator
	3	"VBX" ring
	4	Rotor drive ring
	5	Stator gasket
	6	Expulsion port
	7	D groove
	8	Lube return
	9	Location shoulder

## Install the INPRO labyrinth oil seal

1. Wrap electrical tape around the coupling end of the shaft to cover the keyway.

### NOTICE

#### NOTICE:

The edges of the keyway can be sharp. Make sure to cover the keyway with tape. Failure to do so may result in cutting the O-ring and damaging the seal.

2. Lightly lube the shaft and the drive ring (4) with lubricant.  
Lubricant helps in the installation process. Be sure that the lubricant is compatible with the O-ring material and the pump-system standards.
3. Use an arbor press to install the outboard INPRO VBXXX-D into the bearing cover with the expulsion port (6) at the 6 o'clock position.  
Press the outboard INPRO VBXXX-D down to where the stator location ramp (9) starts to avoid angular misalignment. There is a nominal 0.002 in. (0.051 mm) interference fit.
4. Discard any residual material from the stator gasket (5).
5. Complete the applicable step in this table depending on the model of your pump.

**Table 14: INPRO Labyrinth oil-seal installation**

Press the INPRO seal into the component listed in the chart below

Group	Drive End (DE)	Non-Drive
1	Housing	Frame
2,3	Housing	Adapter
4	Cover, Housing	Adapter

## Shaft sealing with cartridge mechanical seal

### Seal the shaft with a packed stuffing box

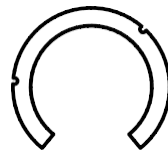
Pumps are shipped without the packing, lantern ring, or split gland installed. These parts are included with the box of fittings shipped with each pump and must be installed before startup.

1. Carefully clean the stuffing-box bore.
2. Twist the packing enough to get it around the shaft.

#### Packing Rings

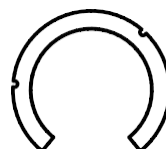


Correct



Incorrect

#### Lantern Rings



Correct

Incorrect

3. Insert the packing and stagger the joints in each ring by 90°. Install the stuffing-box parts in this order:
  - a) Two packing rings
  - b) One lantern ring (two-piece)
  - c) Three packing rings

**NOTICE**

ensure that flush performance.

**NOTICE:**

*Make sure that the lantern ring is located at the flushing connection to is obtained. Failure to do so may result in decreased*

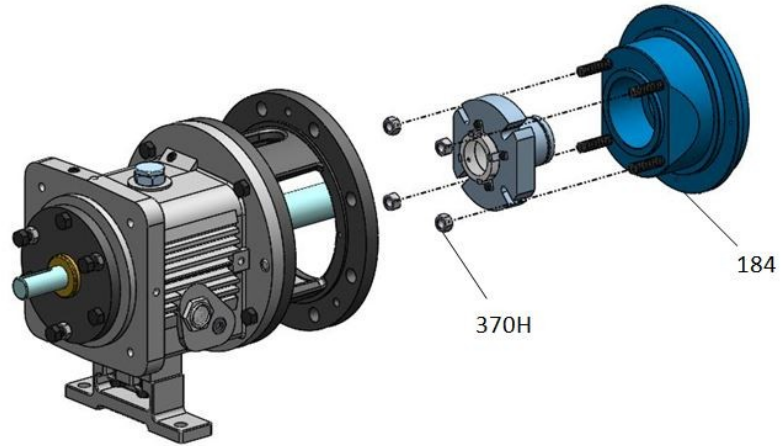
4. Install the gland halves and evenly hand-tighten the nuts.

### Seal the shaft

1. Slide the cartridge seal onto the shaft or sleeve until it contacts the inboard labyrinth oil seal.
2. Install the seal chamber.
3. Slide the cartridge seal into the seal chamber and secure using the four studs and nuts.
4. Continue with the pump reassembly.
5. Set the impeller clearance.  
Refer to the Impeller clearance setting topic for more information.
6. Tighten the setscrews in the seal locking ring in order to secure the seal to the shaft.
7. Remove the centering clips from the seal.

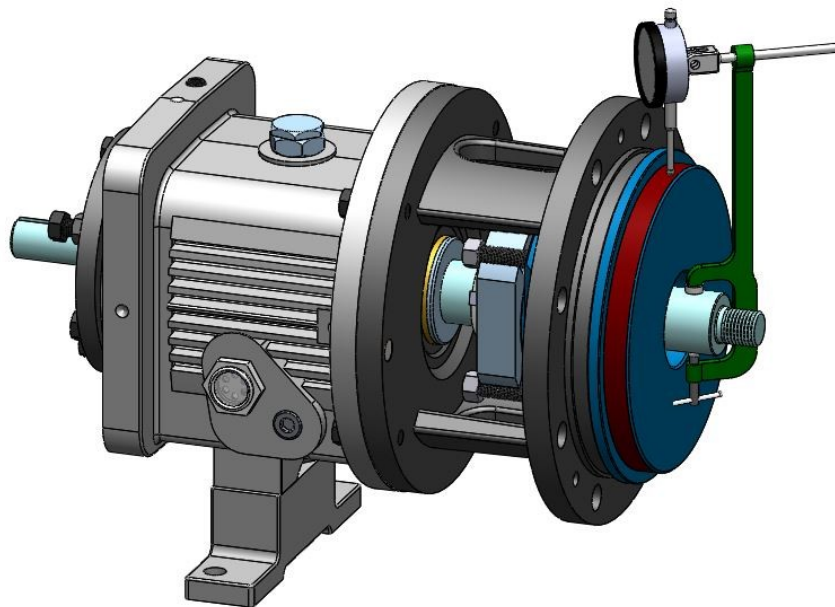
### Seal the shaft with a cartridge mechanical seal

1. Assemble the seal chamber:
  - a) Install a seal-chamber cover or a backplate (184) and fasten with nuts (423B).



**Figure 68: Mechanical Seal installation**

b) Check the seal-chamber cover runout.

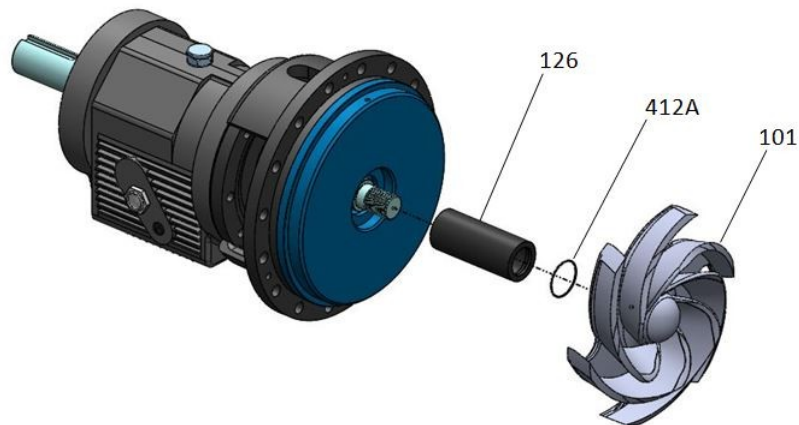


**Figure 69: Seal-chamber cover runout inspection**

greater than 0.005 inches (0.13 mm), determine the cause and correct the issue before you proceed.

c) Install the shaft sleeve (126).





**Figure 70: Shaft Sleeve installation**

2. Continue the complete reassembly of the pump, do not install Teflon o-ring (412A) at this point.
  3. Set the impeller clearance. Refer to the Impeller clearance setting section for more information.
  4. Scribe a line on the marked shaft and sleeve at the face of the seal chamber.
  5. Remove the casing, the impeller, and the seal chamber.
  6. Install the gland, with the stationary seat and gland gaskets installed.
  7. Install the mechanical-seal rotary unit per the manufacturer's instructions.
- Use the scribed line as the seal-reference dimension. Be sure to secure the rotary unit in place using the set screws in the locking ring.
8. Reinstall the seal chamber and attach gland.
  9. Install Teflon impeller o-ring (412A).
  10. Complete the reassembly of the pump.

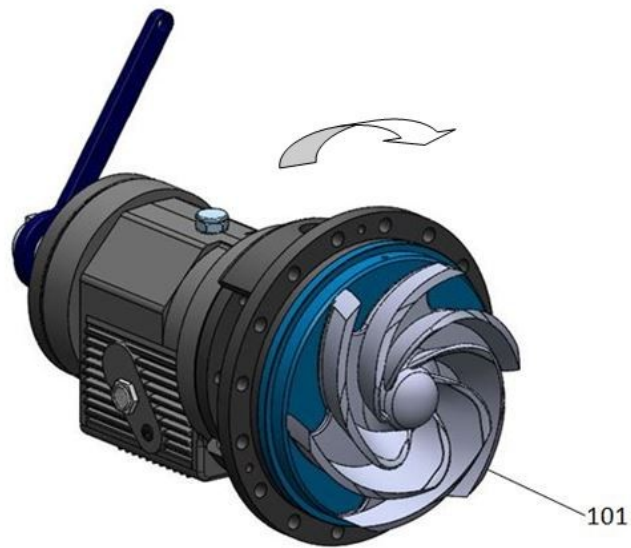
## Install the impeller

1. Install the impeller.

**Table 15: Impeller installation**

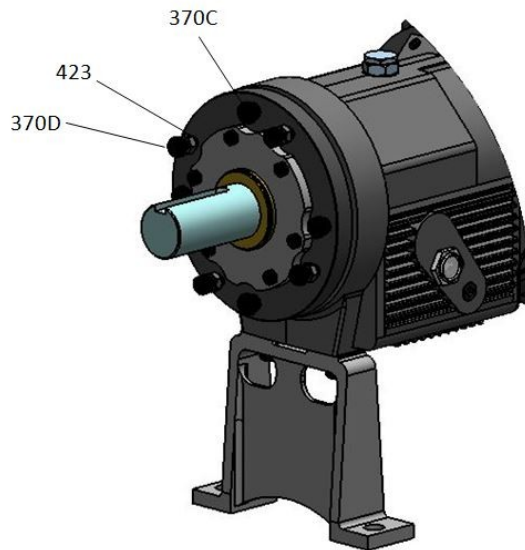
Pump size	Action
Group 1,2,3	Install the impeller (101). Use a new impeller O-ring (412A).
Group 4	Install the impeller (101) and a Teflon washer (428D) on the plug (458Y). Use a new impeller O-ring (412A).

2. Attach a shaft wrench and a coupling key on the shaft.
  - a) With the impeller (101) firmly mounted against the sleeve (126), rapidly rotate the shaft wrench (clockwise, viewed from the drive end of the shaft) so that the wrench forcefully hits the work bench.
  - b) Repeat "step a" until impeller (101) is tight.



**Figure 71: Impeller installation**

3. Loosen the clamp bolts (370C) and the jack bolts (370D).
4. Measure the gap between the impeller (101) and the seal chamber and casing cover (184) with a feeler gauge.



**Figure 72: Setting impeller clearance**

5. When you reach 0.030 in. (0.76 mm) clearance, tighten the clamp bolts (370C), jack bolts (370D), and lock nuts (423).

Perform a final impeller adjustment after you install the impeller into the casing

For more information on how to set the impeller clearances, refer to the impeller clearance checks and impeller clearance setting sections in Commissioning, Startup, Operation, and Shutdown.

## Install the back pull-out assembly

1. Clean the casing fit and install the casing gasket (351) on the seal chamber / stuffing- box cover.
2. Loosen the clamping bolts (370C) and jack bolts (370D) on the bearing housing.
3. Install the back pull-out assembly in the casing.
4. Install casing bolts (370) and hand tighten, then tighten to appropriate torque values in table 14.  
Refer to the bolt torque values for information on how to tighten the casing bolts.
5. Install and tighten the casing jackscrews (418).

### NOTICE

#### **NOTICE:**

*Do not over tighten the casing jackscrews. Doing so may result in equipment damage.*

7. Check the total clearance of the impeller in the casing. With new parts, an acceptable range is 0.030 in. (0.76 mm) to 0.065 in. (1.65 mm). If the impeller clearance is outside of this range, you either have the incorrect parts, an improper installation, or too much pipe strain. Determine the cause and correct the problem before you proceed.
8. Adjust the impeller clearance.  
Refer to the Impeller clearance setting section for more information.
9. Replace the auxiliary piping.
10. Fill the pump with the proper lubricant. See Lubricating-oil requirements.
11. Reinstall the coupling guard.  
See Install the coupling guard for more information.

### NOTICE

#### **NOTICE:**

*Risk of damage to the mechanical seal or shaft sleeve on units supplied with cartridge mechanical seals. Prior to startup, make sure to tighten the set screws in the seal locking ring and remove the centering clips.*

## Post-assembly checks

Perform these checks after you assemble the pump, then continue with pump startup:

- Rotate the shaft by hand in order to make sure that it rotates easily and smoothly and that there is no rubbing.

- Open the isolation valves and check the pump for leaks.

## Assembly references

### Bolt torque values

**Table 16: Bolt torque, lb-ft (Nm)**

This table provides the bolt torque values.

Location	Frame	Lube	Dry
Casing bolts (370) or casing nuts (425)	6 inch, Group 1	N/A	N/A
	8 inch, Group 1	35 (47)	53 (71)
	Group 2, 3	35 (47)	53 (71)
	Group 4	N/A	N/A
Frame-to adapter bolts	All	20 (27)	30 (40)
Bearing-clamp ring bolts (236A) - duplex bearing only	Group 1, 2	*10 (1.1)	*17 (1.9)
	Group 3	*55 (6.2)	*83 (9.4)
Bearing end cover bolts (371C)	Group 4	N/A	N/A
Bearing housing clamp bolt (370C) and jacking bolt (370D)	Group 1, 2, 3	35 (47)	53 (71)
	Group 4	35 (47)	53 (71)
*Values are in lb-in (Nm)			

**Table 17: Maximum torque values in lb-ft (Nm) for casing bolts**

This table provides the maximum torque values for casing bolts.

		<b>Models PWA, PWA-LF, PWA-SP with 150 lb (68 kg) casing flanges</b>			
		<b>Material specification</b>			
		<b>Carbon Steel casing with A307 Grade B casing bolts</b>		<b>Alloy casing with (304SS) F593 Grade 1 or (316SS F593) Grade 2 casing bolts</b>	
Frame	Casing bolt diameter	Lube	Dry	Lube	Dry
8 inch, Group	0.50	20 (27)	30 (41)	35 (47)	54 (73)
6 inch Group 1, Group 2 & 3 Group. 4 Group. 4 -	0.625	39 (53)	59 (80)	71 (96)	107 (145)
	0.625	39 (53)	59 (80)	71 (96)	107 (145)
	0.625	39 (53)	59 (80)	71 (96)	107 (145)
	0.625	39 (53)	59 (80)	71 (96)	107 (145)
	0.875	113 (153)	170 (230)	141 (191)	212 (287)

### Bearing types

**Table 18: Bearing types**

Frame Double Row	Inboard bearing	Outboard bearing	
		Double Row	Duplex

	<b>duplex</b>		
Group 1	6	3	7
Group 2	6	3	7
Group 3	6	N/A	7
Group 4	6	3	7

## Spare parts

Pump Serial Number is REQUIRED for all Parts Orders. This ensures the correct material and design for your specific pump unit.

- Impeller (101)
- Shaft (122A)
- Shaft sleeve (126)
- Outboard bearing (112A)
- Inboard bearing (168A)
- Casing gasket (351)
- Frame-to-adapter O-ring (360D)
- Bearing-housing retaining ring (361A)
- Bearing lock washer (382)
- Bearing locknut (136)
- Impeller O-ring (412A)
- Bearing-housing O-ring (496)
- Outboard labyrinth-seal rotary O-ring (497F)
- Outboard labyrinth-seal stationary O-ring (497G)
- Inboard labyrinth-seal rotary O-ring (497H)
- Inboard labyrinth-seal stationary O-ring (497J)
- Lantern ring half (105) (packed stuffing box)
- Stuffing box packing (106) (packed stuffing box)
- Packing gland (107) (packed stuffing box)
- Impeller gasket (42)

# Parts Listings and Cross-Sectional Drawings

**Table 1 - Parts List**

Item	Quantity	Part name
<b>100</b>	1	<b>Casing</b>

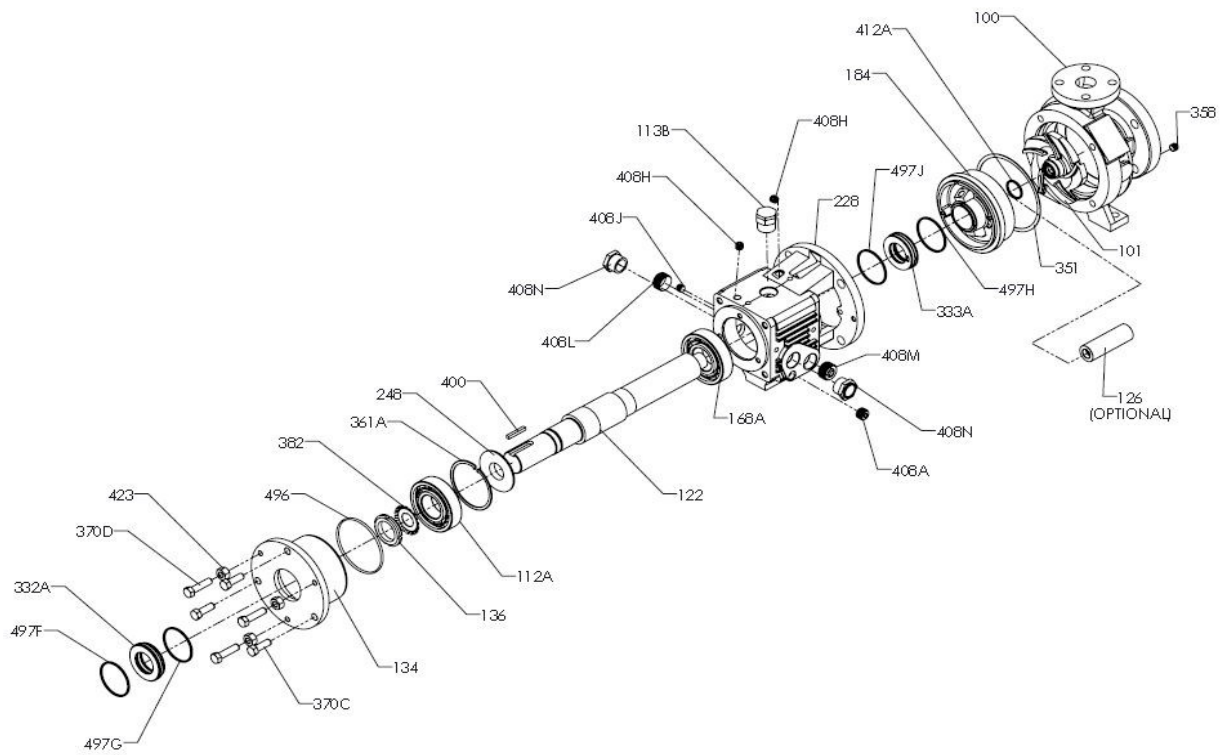
101	1	Impeller
105	1	Lantern Ring
108	1	Frame Adapter
109C	1**	Outboard Bearing End Cover
112A	1	Outboard Bearing
113	2	Plug—Grease Relief
113B	1	Plug—Oil Fill
122A	1	Shaft—Without Sleeve
122	1	Shaft—With Sleeve
126	1	Shaft Sleeve
134	1	Bearing Housing
136	1	Bearing Locknut
168A	1	Radial Bearing
184	1	Seal Chamber/Stuffing Box Cover
193	2	Grease Fitting
228	1	Bearing Frame
236A	10	Cap Screw—Bearing Clamp Ring
239	1	Support, Casing
241	1	Frame Foot
248	1	Flinger Disk
250	1	Gland—Mechanical Seal
253B	1	Bearing Clamp Ring
332A	1	Outboard Labyrinth Seal w/O-rings
333A	1	Inboard Labyrinth Seal w/O-rings
351	1	Casing Gasket
353	4	Gland Stud
355	4	Gland Stud Nut
358	1	Plug—Casing Drain
358Y	1**	Plug, Impeller
360C	1**	Gasket—Thrust End Cover
360D	1	O-ring—Frame-to-Adapter
360Q	1	Gasket—Gland-to-Stuffing Box Cover
361A	1	Retaining Ring
370	***	Bolt—Adapter to Case
370B	4	Bolt—Frame-to-Adapter
370C	*	Clamp Bolt —Bearing Housing
370D	*	Jack Bolt—Bearing Housing
370F	2	Bolt—Frame Foot to Frame
370H	4	Stud—Stuffing Box Cover-to-Adapter
370Y	2	Bolt—Cap Casing to Support
371C	6**	Cap Screw-End Cover to Bearing Housing
382	1	Bearing Lockwasher
383	1	Mechanical Seal
400	1	Coupling Key
408A	1	Plug—Oil Drain
408H	2	Plug—Oil Mist Connection

<b>408J</b>	1	<b>Plug—Oiler</b>
<b>408L</b>	1	<b>Plug—Oil Cooler Inlet</b>
<b>408M</b>	1	<b>Plug—Oil Cooler Outlet</b>
<b>408N</b>	2	<b>Plug—Sight Glass</b>
<b>412A</b>	1	<b>O-Ring, Teflon Impeller</b>
<b>418</b>	3	<b>Jack Bolt—Adapter-to-Case</b>
<b>423</b>	*	<b>Jam Nut—Bearing Housing Jack Bolt</b>
<b>423B</b>	4	<b>Hex Nut—Stuffing Box Cover to Adapter</b>
<b>428</b>	1	<b>Gasket, Plug</b>
<b>437</b>	1	<b>Lockwasher, Casing to Support</b>
<b>458Y</b>	1 **	<b>Plug, Impeller</b>
<b>469B</b>	2	<b>Dowel Pin—Frame-to-Adapter</b>
<b>494</b>	1	<b>Tube Element, Finned Cooled</b>
<b>496</b>	1	<b>O-Ring Bearing Housing</b>
<b>412A</b>	1	<b>O-Ring—Impeller</b>
<b>497F</b>	1	<b>O-Ring—Outboard Labyrinth Rotor</b>
<b>497G</b>	1	<b>O-Ring—Outboard Labyrinth Stator</b>
<b>497H</b>	1	<b>O-Ring—Inboard Labyrinth Rotor</b>
<b>497J</b>	1	<b>O-Ring—Inboard Labyrinth Stator</b>
<b>497L</b>	1	<b>O-Ring Internal (inboard)</b>
<b>497N</b>	1	<b>O-Ring Internal (outboard)</b>
<b>503</b>	1	<b>Adapter Ring</b>
<b>529</b>	2	<b>Lockwasher—Frame Foot-to-Bearing Frame</b>
<b>555</b>	1	<b>Tube, Finned Cooling Assembly</b>
<b>555A</b>	1	<b>Tube, Ftg Male (Frame Cooling)</b>
<b>555B</b>	2	<b>Connector, Thermocouple (Frame Cooling)</b>
<b>555C</b>	2	<b>Elbow, Female (Frame Cooling)</b>
<b>555D</b>	1	<b>Conn TC Sealed PWR</b>

**Table 2: Key to table symbols**

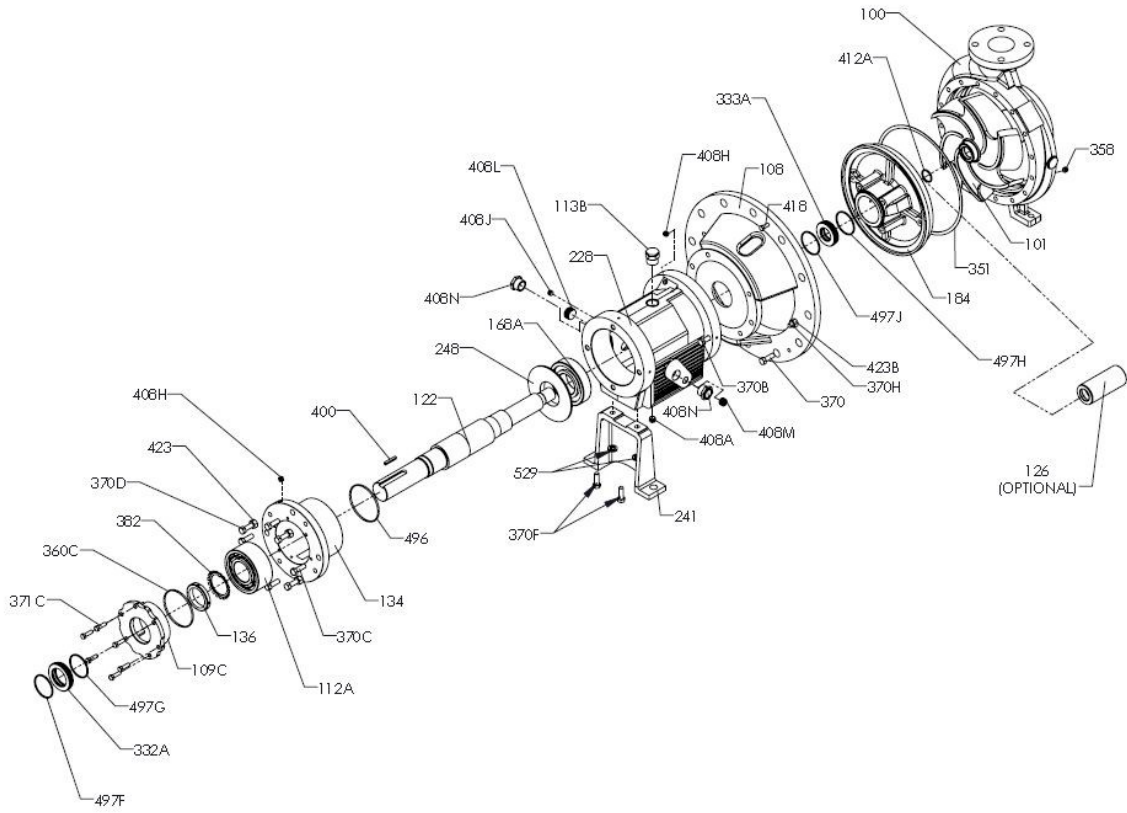
<b>*</b>	<b>3 for Group 1, 2, &amp; 3 4 for Group 4</b>
<b>**</b>	<b>Group 4</b>
<b>***</b>	<b>4 for 6 in. Group 1 8 for 8 in. Group 1 and Group 2 16 for 13 in. Group 2, Group 3, &amp; Group 4 24 for 15 in. Group 4 12 for 10 in. Group 2, Group 3, &amp; Group 4</b>





**Figure 1: Group 1 Pump Exploded View**





**Figure 4: Group 4 Pump Exploded View**