

PW-VSP

VERTICAL SUMP PUMP



 *Engineered, Assembled, & Tested in the USA*



COMPETITIVE ADVANTAGES

Pump Reliability and Control

- Simplex liquid level and high water alarm control to NEMA 1, 4, 7, and 9 enclosure.
Duplex alternating pump, liquid level, and high water alarm control to NEMA 1, 4, 7, and 9 enclosure.



Installation Flexibilities

Series 820, 824, and 832

- Heavy Duty Configuration 820, 824 and 832 Sump Pumps for pit depths up to 26 feet.
Standard Cast Iron, Cast Iron/316SS, 316SS, and Alloy 20 Materials of Construction with optional Hastelloy and CD4MC.
Simplex and Duplex Designs.
Round, Square and Oval Pit Cover Plates.
Direct Tank Flange Mounting.
Custom Triplex Design.
Replacement covers to identically match client's existing sump dimensions.
Optional vapor proof construction.

Line Shaft Bearing Assemblies

- Standard intermediate lower bearing choker ring guide bearing bushing.
Alternate bearing assemblies for Abrasive and Chemical specific applications.

Standard Line Shaft Bearing Assemblies

Lower Bearing Assembly
The standard intermediate assembly consists of (2) guide bearings compatible with the liquid and is standard when pit depth exceeds 6 feet. Standard bronze bearings furnished with grease lubrication. Optional carbon graphite, rubber, Teflon.*
The standard pump bearing assembly consists of choker ring and (2) guide bearing bushings compatible with the liquid. Standard bronze bearings furnished with grease lubrication. Optional carbon graphite, rubber, Teflon.*

Alternate Line Shaft Bearing Assemblies

Abrasive Service 1
Includes (2) guide bearing bushings compatible with the liquid, (5) rings of packing spring loaded with a choker ring to eliminate abrasives from the bearing area. Optional are bronze or carbon graphite.

Abrasive Service 2
Includes (2) cutless rubber bearing bushings suitable for water flush connection.

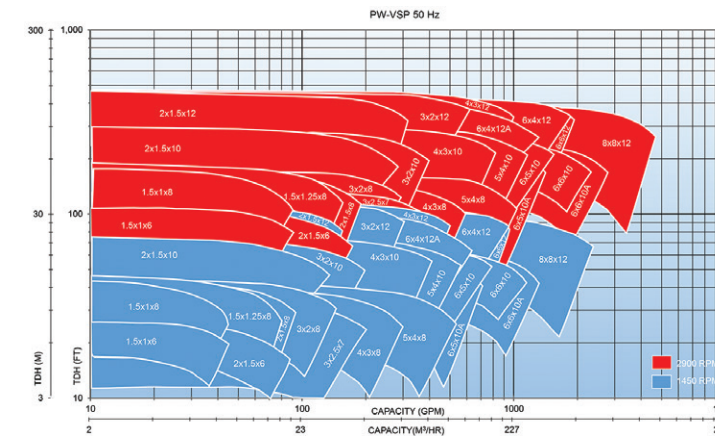
Chemical Service
Includes (1) Teflon* bearing with stainless steel locking screws and lubricated by liquid being pumped. Other bearing materials available for special chemical services.

*E I DuPont registered TM.
NOTE: Bearing assemblies shown are typical for most pumping services. Unusual or severe services may necessitate changes in assembly design.

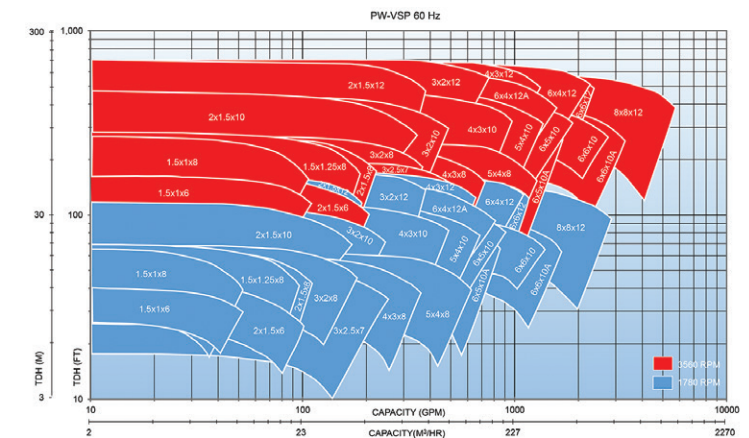


HYDRAULIC PERFORMANCE COVERAGE

50 Hz Performance Coverage



60 Hz Performance Coverage



Performances shown are nominal and are to be used for preliminary selection only.

Capabilities

- Capacities to 683 m³/h | 3,000 GPM
Heads to 70 m | 230 ft
Temperatures to 177° C | 350° F
Pit Depths to 7 m | 26 ft

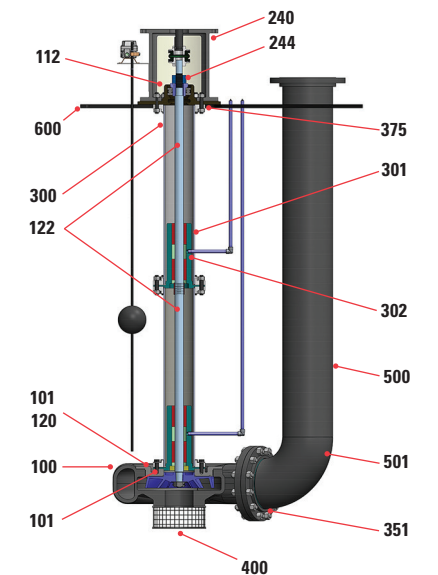


Visit our website at pumpworks.com and specify flow and performance needs and obtain pump selection and performance curve.

PARTS LIST AND MATERIALS OF CONSTRUCTION

Table with 6 columns: ITEM REF #, PART NAME, CAST IRON, CAST IRON w/316SS IMPELLER, 316SS, ALLOY 20. Lists parts 100 through 600 including Casing, Impeller, Thrust Bearing Housing, etc.

PW-VSP Models 820, 824, and 832





Quality

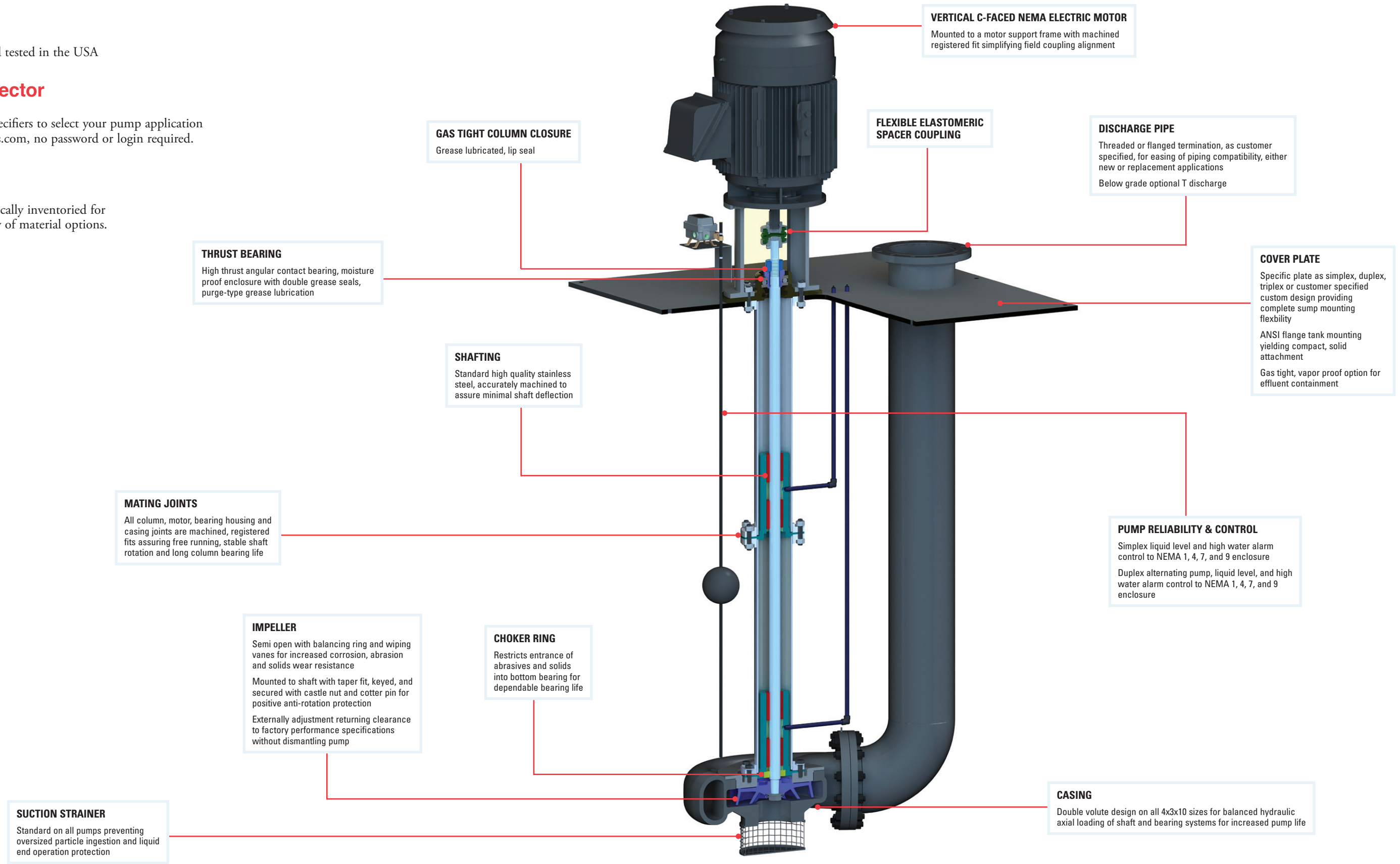
Engineered, assembled and tested in the USA

ePod Pump Selector

Access to end users and specifiers to select your pump application online at www.pumpworks.com, no password or login required.

Delivery

Pump components strategically inventoried for rapid shipment in a variety of material options.



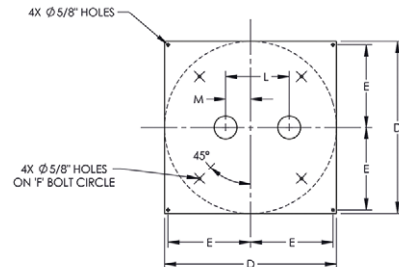
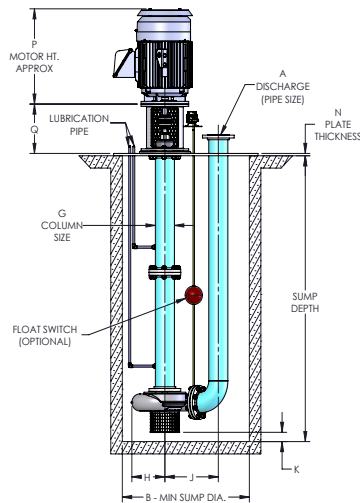


PUMP DIMENSIONS

Series 820 & 824 Simplex Pump

Table with 14 columns (SIZE, MODEL, A, B, C, D, E, F, G, H, J, K(2), L, M, N) and 25 rows of pump specifications.

Not to be used for construction unless certified by manufacturer.



820 & 824 Simplex Pump
Dimensions in inches (mm), weights in lbs.(kg).

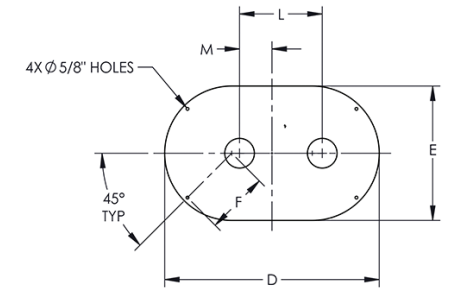


PUMP DIMENSIONS

Series 820 & 824 Oval Pit Cover

820 Pump Data

Table with 7 columns (SIZE, MODEL, B, D, E, F, M) and 12 rows of 820 pump data.



820 & 824 Oval Pit Cover

824 Pump Data

Table with 7 columns (SIZE, MODEL, B, D, E, F, M) and 8 rows of 824 pump data.



PUMP DIMENSIONS

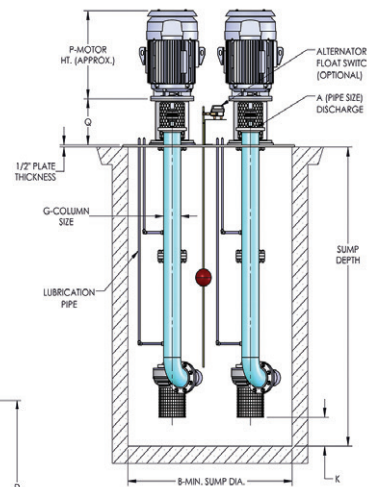
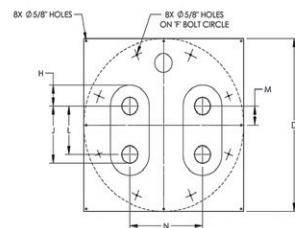
Series 820 & 824 Duplex Pump

Table with 14 columns (SIZE, MODEL, A, B, C, D, F, G, H, J, K(2), L, M, N) and 20 rows of pump specifications for Series 820 & 824 Duplex Pump.

Dimensions in inches (mm), weights in lbs.(kg).

Motor Data

Table with 9 columns (FRAME, P, Q, FRAME, P, Q, FRAME, P, Q) and 5 rows of motor specifications.



820 & 824 Duplex Pump



PUMP DIMENSIONS

Series 832 Simplex Pump

Pump Data

Table with 14 columns (SIZE, MODEL, A, B, C, D, F, G, H, J, L, M, N) and 4 rows of pump specifications for Series 832 Simplex Pump.

Motor Data

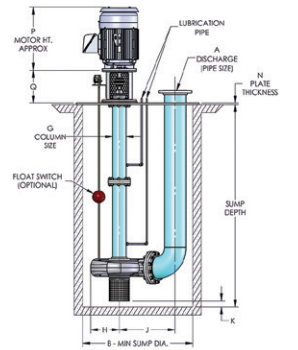
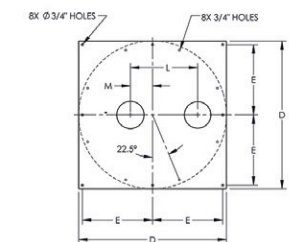
Table with 12 columns (FRAME, P, Q, FRAME, P, Q, FRAME, P, Q, FRAME, P, Q) and 5 rows of motor specifications.

Dimensions in inches (mm), weights in lbs.(kg).

Not to be used for construction unless certified by manufacturer.

TECHNICAL DATA

Table with 5 columns (MODEL, 814, 820, 824, 832) and 4 rows of technical specifications.



Inventory

Pump and component inventory in a variety of material options are strategically located through the Northern Hemisphere ensuring consistent, rapid shipment tailored to customer requirements.



Service

Fully staffed professional sales and service teams providing superior customer support is available 24/7/365.



Manufacturing

All of our pumps are engineered, inspected, assembled and tested in the United States of America. This ensures consistent quality, product availability, and low cost of ownership.



Pumpworks | pumpworks.com

